



HERSCHEL COLORADO 2500R Watts Ceiling or Wall-mounted Infrared Heaters



EN INSTALLATION & OPERATING INSTRUCTIONS
FR INSTRUCTIONS D'INSTALLATION ET D'UTILISATION
DE INSTALLATIONS- & BEDIENUNGSANLEITUNG
NL INSTALLATIE- EN BEDIENINGSINSTRUCTIES
IT ISTRUZIONI PER L'INSTALLAZIONE E L'USO
ES INSTRUCCIONES DE INSTALACIÓN Y FUNCIONAMIENTO

MODELS COVERED BY THIS MANUAL:

Colorado 2500R



Original instructions covering COLORADO 2500R produced 082022 onwards. SAA Certificate SAA-211697-EA



IMPORTANT SAFETY PRECAUTIONS

READ THESE INSTRUCTIONS CAREFULLY AND RETAIN FOR FUTURE REFERENCE.

Failure to observe these instructions will invalidate the warranty.

This unit may be a source of possible shock.

Disassemble only to replace lamp. No user-serviceable parts inside.

Source of possible ignition.



WARNING

TO REDUCE THE RISK OF FIRE, ELECTRIC SHOCK OR INJURY:

1. Remove the unit from its packaging and check it to ensure it is in good condition before installing and operating.
2. Send the packaging to be recycled. **DO NOT** let children play with plastic bags or other parts of the packaging.
3. **CAUTION:** Risk of Electric shock
 - a. This appliance must be disconnected from its power source during installation or service activities and when replacing.
 - b. **DO NOT** use this heater in the immediate surroundings of a bath, shower or swimming pool or hot tub where it could fall into a container full of water.
 - c. Switches and other controls must not be within reach of a person in a bath, pool, hot tub or shower.
 - d. **DO NOT** touch this heater or its controls with wet hands.
 - e. **DO NOT** allow power cables to become immersed in water or other liquid.
 - f. **DO NOT** open or try to repair the heater yourself. Servicing should be performed by qualified personnel only.
4. In order to avoid overheating and potential fire hazard, **DO NOT** cover the heater under any circumstances. If the heater should become accidentally covered during operation, turn it off immediately and clear out any foreign objects that have covered the heater or become lodged in the grill.
5. The unit must be installed with a minimum clearance of 1800mm (71") to the floor and 300mm (12") clearance at the top and sides of the heater.
6. **DO NOT** touch the heater when in use. Parts of the heater may exceed 200°C / 392°F during operation. Contact with the heater during operation may cause severe burns. Do not touch the heater during or for 10 minutes after operation.
7. **DO NOT** use the heater if the power cord is damaged. This must be replaced by the manufacturer, its service agent or similarly qualified persons in order to avoid a hazard.
8. **DO NOT** use the heater to ignite materials. **DO NOT** operate in locations containing gasoline, flammable liquids or other volatile substances.
9. **DO NOT** install the heater pointing directly downwards.
10. **DO NOT** install this heater near, or pointing towards flammable objects within 1 metre or where curtains, towels or other flammable items can be blown onto the heater.
11. This heater must only be used for the heating of people outdoors or indoors in an unenclosed space. The COLORADO is not to be used by children or persons with reduced physical, sensory or mental capabilities, or lack of experience or knowledge, regardless of whether they have been given instruction or are under supervision. Children should be kept away and should not be left unsupervised around the unit.

12. All operators shall only switch on/off the appliance provided that it has been placed or installed in its intended normal operating position and they have been given supervision or instruction concerning use of the appliance in a safe way and understand the hazards involved. Children shall not plug in, switch on or regulate the appliance or perform user maintenance including cleaning.
13. **DO NOT** leave the heater operating unattended.
14. **NEVER** place hands under the heating element during operation.
15. **IMPORTANT:** Do not operate if supply voltage exceeds 240 volts.

SAVE THESE INSTRUCTIONS.

WATER INGRESS PROTECTION:

Herschel COLORADO is rated to a standard IP55. Suitable for outdoor use.

Installation in potentially wet or humid rooms such as bathrooms must be carried out by a suitably qualified installer and comply with local electrical safety requirements.

If in doubt, do not install. Herschel Infrared Ltd shall not be liable for any loss, damage or injury caused or resulting from inadequate fitting or incorrect placement of heaters close to water sources.

ELECTRICAL INFORMATION:

The Herschel COLORADO may be plugged in to a waterproof socket. Any extension lead used must have sufficient capacity to carry the current required by the heater as show in in Table 1. All plugs, sockets and switches intended for use outdoors must have an appropriate water ingress protection.

Alternatively the plug can be removed and the unit connected to fixed mains wiring. Fixed wiring installations must only be carried out by competent persons or a qualified electrician according to national regulations and the unit must be earthed. The electrical supply to the unit should be provided by connecting to a current protection device suitable for the electrical rating of the unit in accordance with Table 1 and providing disconnection in both poles. All fixed wiring must have sufficient capacity to carry the current required by the heater.

Always disconnect the heater from the power when not in use.

Table 1. Electrical Specification

Model	Rated Power	Voltage	Current	Frequency	Fuse (Minimum)
COLORADO 2500R	2500W	220-240V	10.9A	50/60Hz	13A

The mounting position of the unit must ensure that any mechanical damage to the flexible cable is unlikely. Any exposed flexible cable is to hang down (not tied UP) and must have adequate clearance from the heater to prevent scorching or damaging the cable. Colour coding used in the supplied mains cable: BROWN wire is to be connected to LIVE ('L'), the BLUE wire to NEUTRAL ('N') and the GREEN/YELLOW wire to EARTH ('E').

MOUNTING POSITION:

The recommended installation height of the COLORADO is 1.8m - 2.4m (71" - 95") from the floor. The lower the heater is positioned, the more intense the heat.

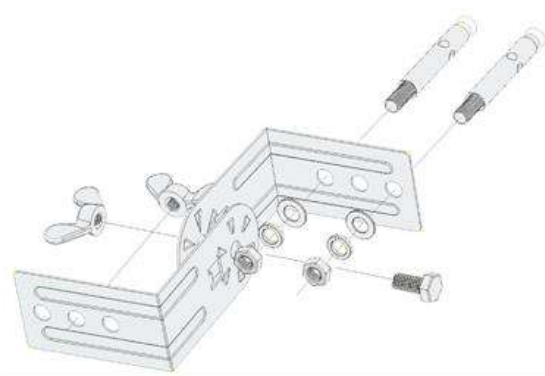
Under no circumstances is the COLORADO to be installed at less than 1.8m (71") from the floor. Consideration should be given to any temporary or occasional additions such as stages or platforms and adjusted accordingly. For outdoor use, or other areas with air movement/wind the directional Infrared spread may reduce by 1/3 to 1/2. In all locations, ensure hot parts are not touched accidentally.

Wall mount swivel brackets are provided with the heater which has been specifically designed to allow this product to be fitted to a wall with adequate clearances at the back of the unit. Do not mount the heater with any other bracket except those provided.

The sides and ends of the heater must always be at least 300mm (12") away from the nearest wall, ceiling or other structure.

INSTALLATION:

Diagram 1: Bracket Assembly



Mounting Hardware Includes:

- 4 x bracket pieces - fit together to form 2 brackets with a central pivot. The protruding blade on each bracket fits over the circular end of the opposing bracket to ensure the correct pivot angle.
- 4 x M6x60 masonry expansion bolts (for fitting brackets onto wall).
- 2 x wing nuts to fit brackets onto the rear of the heater.
- 2 x small bolts and lock nuts (to form the pivot on the brackets).

Using the brackets as a template, mark and drill 4 x 8mm holes in the wall. Insert the plugs into the wall and fit the brackets, washers, spring washers and nuts over the exposed threaded ends. Tightening the nuts will force the plug end to expand in the wall and form a secure mounting for the heater.

Fit the opposite bracket to the back of the heater before then inserting and tightening the bolt and nut for each hinge.

Diagram 2: Correct Wall / Ceiling Position

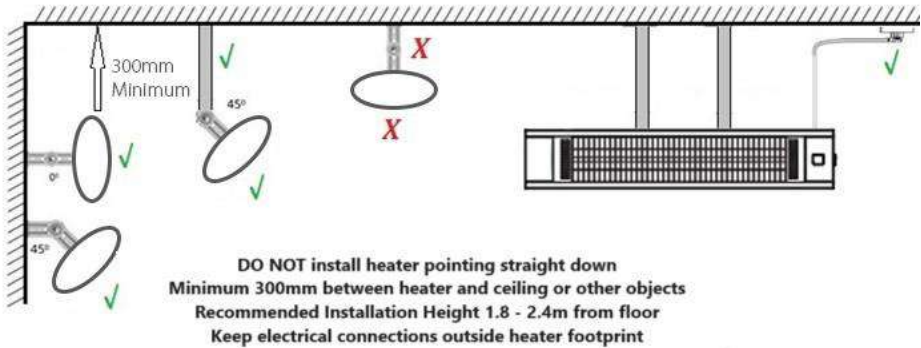
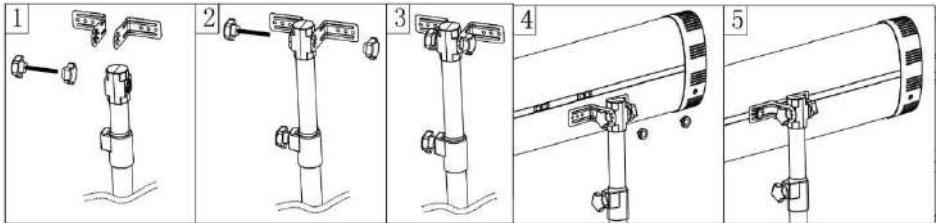


Diagram 3: Installation using a stand

The Colorado may be installed on an adjustable stand (Model M-Stand, available separately). Installation is easy following the diagrams below.



⚠ CAUTION:

- Ensure mains power is OFF before commencing installation.
- The supplied mains cable must not contact the top surface of the heater during operation.
- Heater must not be located immediately below a socket outlet. Electrical connections must be made outside of the footprint of the unit to avoid heat build-up. If the heater is to be mounted on an incline (e.g. sloping roof), ensure the electrical connection is located below the lowest end of the heater.
- Joists, beams and rafters shall not be cut or notched to install the appliance.
- This heater is not intended for ceiling-recessed installation. Do not install pointing directly downwards.
- The identification mark and model reference should be visible after installation.
- The COLORADO must not be attached facing or close to any combustible material (eg, wood or PVC cladding, fascia or soffit) or other materials that could blow onto the heater.
- The fixed wiring insulation coming into contact with parts with a temperature rise of greater than 50°C must be protected, for example, by sleeving having an appropriate temperature rating.
- Exercise caution when siting the heater stand that the heater cannot accidentally be touched, knocked-over or that the wire causes a tripping hazard.
- Never place the stand and heater next to a swimming pool, pond or other water source.

INITIAL USE:

The power switch on the side of the COLORADO has 3 positions:

- Position O (Off)
- Position I (Remote bypass)
- Position II (Remote control).



CAUTION:

The power switch may become unintentionally switched to position I (Remote Bypass) during unpacking and installation. To avoid any possibility of burns, ensure the power switch is in the OFF position (marked **O** on the switch) before switching on mains power.

Position I. To bypass the remote control, turn the switch on the heater to position I. When the switch is in this position the heater will turn on or off depending on whether it has power to it. The remote control unit will not control the heater when the switch is in position I. Use this where you wish to hard wire the heater to a switching device such as a push button timer or thermostat.

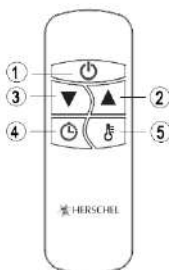
Position II. To use the heater with the remote control, ensure the switch of the heater is switched to position II.

Insert 2 x AAA Alkaline batteries into the remote control.

The remote control operates the heater remotely on or off with adjustable heat level and timer described below. All Herschel remote controls have the same frequency, so it is possible to control several heaters with just one remote.

There may be odour or vapour from the heater on initial use or if it has not been used for an extended period. This is normal.

OPERATION BY REMOTE CONTROLLER:



Remote Control Function			
Button	Function (Heater On)	Function (Heater Off)	LED Display on Heater
1	Turns heater on or off		
2	Increase Heat Level or Timer hours	Turns heater on to Level 1 (minimum)	L1
3	Decrease Heat Level or Timer Hours	Turns heater on to Level 4 (Maximum)	L4
4	Enable Timer adjustment		00 - 24
5	Enable Heat Level adjustment		L [n]

All Herschel remote controls have the same frequency, so it is possible to control several heaters with just one remote.

Safety & Energy-saving protection:

- If a heater with remote control is left switched on continuously for a week (168 hours), the heater will automatically switch itself off and must be restarted.
- Heaters with remote controllers are equipped with an overheat switch which will cut power to the heater if it senses an overheat in the electronics. Please let the heater cool down for 15 minutes before attempting to restart.

USER MAINTENANCE:

The heater may be wiped-down with a soft damp cloth. Do not use abrasive detergents to clean the unit. In marine environments, the unit may be gently sprayed clean with clean water with the POWER TURNED OFF and completely cool. After cleaning, it is advisable to warm the heater for 10 – 20 minutes to dry the unit and prevent staining.

The lamp used in the Herschel Colorado is Ultra long life (up to 10,000 hours). Changing the lamp should only be carried out by suitably qualified personnel using the instructions available on Herschel's website.

TROUBLESHOOTING:

E1 Error on Display:	Control unit overheat. Check installation clearances. Let heater cool for 15 minutes and restart heater.
L1,2,3,4 shows in display, but no heat:	Lamp is damaged. Arrange for replacement lamp with your Herschel Dealer.

TECHNICAL INFORMATION:

Rated Power:	2500W at 220-240V
Heating Element:	Ultra long life Carbon heating lamp (up to 10,000 hours)
Reflector:	Mirror Aluminium (98% reflection preventing rearward heat loss)
Dimensions:	900 x 174 x 100 mm
Remote control:	4 power levels (20% power increments) & 0-24 hour timer (24 x 1 hour increments)
Warm-up time:	5-10 seconds
Useful wavelength range:	2 - 5µm
Weight:	3kg
Warranty:	2 Years (excludes lamp & remote control)
Protection:	IP55

WARRANTY:

Register your product here: <https://www.herschel-infrared.co.uk/customer-service/warranty-registration/>
The Herschel COLORADO is guaranteed against failure due to faulty materials or workmanship for two years from date of purchase excluding the lamp and remote control unit. The warranty will be invalidated if the unit is opened, tampered with or mis-used. In the unlikely event of failure of the unit within this time, the unit must be returned to the supplier for repair or replacement. The guarantee is invalid if the correct installation instructions as given in this leaflet have not been adhered to. Refer to Herschel Infrared Ltd's warranty policy for full details.

See <https://www.herschel-infrared.co.uk>.

Note your serial number here:

ELECTRICAL EQUIPMENT:

Waste electrical products should not be disposed of with household waste. Please recycle where facilities exist.

**IMPORTANT NOTICE TO PURCHASER:**

Before utilizing the product, you should determine the suitability of the product for its intended use. HERSCHEL INFRARED LTD expressly disclaims the implied warranties and conditions of merchantability and fitness for a particular purpose. In no case shall HERSCHEL INFRARED LTD be liable under any legal theory, including but not limited to contract or strict liability, for any direct, indirect special, incidental or consequential damages resulting from product use.

PRÉCAUTIONS DE SÉCURITÉ IMPORTANTES

LIRE ATTENTIVEMENT CES INSTRUCTIONS ET LES CONSERVER POUR RÉFÉRENCE FUTURE.

Le non-respect de ces instructions annulera la garantie.

Cet appareil peut être une source de choc possible.

Démonter uniquement pour remplacer la lampe. Aucune pièce réparable par l'utilisateur à l'intérieur.

Source d'inflammation possible.



ATTENTION

POUR RÉDUIRE LE RISQUE D'INCENDIE, DE CHOC ÉLECTRIQUE OU DE BLESSURE :

1. Retirez l'unité de son emballage et vérifiez qu'elle est en bon état avant de l'installer et de l'utiliser.
2. Envoyez l'emballage à recycler. **NE PAS** laisser les enfants jouer avec des sacs en plastique ou d'autres parties de l'emballage.
3. **ATTENTION** : Risque de choc électrique
 - a. Cet appareil doit être débranché de sa source d'alimentation pendant les activités d'installation ou d'entretien et lors du remplacement.
 - b. N'utilisez **PAS** ce radiateur à proximité immédiate d'une baignoire, d'une douche, d'une piscine ou d'un bain à remous où il pourrait tomber dans un récipient rempli d'eau.
 - c. Les interrupteurs et autres commandes ne doivent pas être à la portée d'une personne dans un bain, une piscine, un bain à remous ou une douche.
 - d. **NE PAS** toucher ce radiateur ou ses commandes avec les mains mouillées.
 - e. **NE PAS** laisser les câbles d'alimentation s'immerger dans l'eau ou tout autre liquide.
 - f. N'ouvrez **PAS** ou n'essayez **PAS** de réparer le radiateur vous-même. L'entretien doit être effectué uniquement par du personnel qualifié.
4. Afin d'éviter une surchauffe et un risque d'incendie potentiel, **NE** couvrez en aucun cas l'appareil de chauffage. Si l'appareil de chauffage est accidentellement couvert pendant le fonctionnement, éteignez-le immédiatement et éliminez tout corps étranger qui a recouvert l'appareil de chauffage ou qui s'est logé dans le gril.
5. L'unité doit être installée avec un dégagement minimum de 1800 mm (71") au sol et un dégagement de 300 mm (12") en haut et sur les côtés de l'appareil de chauffage.
6. **NE PAS** toucher l'appareil de chauffage lorsqu'il est utilisé. Certaines parties de l'appareil de chauffage peuvent dépasser 200 °C / 392 °F pendant le fonctionnement. Le contact avec l'appareil de chauffage pendant le fonctionnement peut provoquer de graves brûlures. Ne touchez pas le radiateur pendant ou pendant 10 minutes après le fonctionnement.
7. N'utilisez **PAS** le radiateur si le cordon d'alimentation est endommagé. Celui-ci doit être remplacé par le fabricant, son agent de service ou des personnes de qualification similaire afin d'éviter tout danger.
8. **NE PAS** utiliser l'appareil de chauffage pour enflammer des matériaux. **NE PAS** faire fonctionner dans des endroits contenant de l'essence, des liquides inflammables ou d'autres substances volatiles.



Traduction des instructions originales couvrant le COLORADO 2500R produit à partir de 072021. Certificat SAA SAA-211697-EA



9. N'installez **PAS** le radiateur pointant directement vers le bas.
10. N'installez **PAS** cet appareil de chauffage à proximité ou en direction d'objets inflammables à moins de 1 mètre ou là où des rideaux, des serviettes ou d'autres articles inflammables peuvent être soufflés sur l'appareil de chauffage.
11. Ce radiateur ne doit être utilisé que pour le chauffage de personnes à l'extérieur ou à l'intérieur dans un espace non clos. Le COLORADO ne doit pas être utilisé par des enfants ou des personnes ayant des capacités physiques, sensorielles ou mentales réduites, ou un manque d'expérience ou de connaissances, qu'ils aient reçu des instructions ou soient sous surveillance. Les enfants doivent être tenus à l'écart et ne doivent pas être laissés sans surveillance autour de l'unité.
12. Tous les opérateurs doivent allumer/éteindre l'appareil uniquement à condition qu'il ait été placé ou installé dans sa position de fonctionnement normale prévue et qu'ils aient reçu une supervision ou des instructions concernant l'utilisation de l'appareil en toute sécurité et qu'ils comprennent les risques encourus. Les enfants ne doivent pas brancher, allumer ou régler l'appareil ou effectuer l'entretien par l'utilisateur, y compris le nettoyage.
13. **NE PAS** laisser le radiateur fonctionner sans surveillance.
14. **NE JAMAIS** placer les mains sous l'élément chauffant pendant le fonctionnement.
15. **IMPORTANT** : Assurez-vous que la tension d'alimentation ne dépasse pas 240 volts.

CONSERVEZ CES INSTRUCTIONS.

PROTECTION CONTRE LES INFILTRATIONS D'EAU :

Herschel COLORADO est classé à la norme IP55. Convient pour une utilisation en extérieur.

L'installation dans des pièces potentiellement mouillées ou humides telles que des salles de bains doit être effectuée par un installateur qualifié et conforme aux exigences locales de sécurité électrique.

En cas de doute, n'installez pas. Herschel Infrared Ltd ne sera pas responsable des pertes, dommages ou blessures causés ou résultant d'un montage inadéquat ou d'un placement incorrect des appareils de chauffage à proximité de sources d'eau.

INFORMATIONS ÉLECTRIQUES :

Le Herschel COLORADO peut être branché sur une prise étanche. Toute rallonge utilisée doit avoir une capacité suffisante pour transporter le courant requis par l'appareil de chauffage, comme indiqué dans le tableau 1. Toutes les fiches, prises et interrupteurs destinés à être utilisés à l'extérieur doivent avoir une protection appropriée contre les infiltrations d'eau.

Alternativement, la fiche peut être retirée et l'unité connectée au câblage secteur fixe. Les installations de câblage fixe ne doivent être effectuées que par des personnes compétentes ou un électricien qualifié conformément aux réglementations nationales et l'unité doit être mise à la terre. L'alimentation électrique de l'unité doit être fournie en se connectant à un dispositif de protection de courant adapté à la puissance électrique de l'unité conformément au Tableau 1 et en assurant une déconnexion dans les deux pôles. Tout le câblage fixe doit avoir une capacité suffisante pour transporter le courant requis par l'appareil de chauffage.

Débranchez toujours l'appareil de chauffage de l'alimentation lorsqu'il n'est pas utilisé.

Tableau 1. Spécification électrique

Modèle	Puissance nominale	Tension	Actuel	La fréquence	Fusible (Minimum)
COLORADO 2500R	2500W	220-240V	10.9A	50/60Hz	13A

La position de montage de l'unité doit garantir que tout endommagement mécanique du câble flexible est peu probable. Tout câble flexible exposé doit pendre (non attaché) et doit avoir un dégagement suffisant du radiateur pour éviter de brûler ou d'endommager le câble. Code couleur utilisé dans le câble d'alimentation fourni : le fil MARRON doit être connecté à LIVE (« L »), le fil BLEU au NEUTRE (« N ») et le fil VERT/JAUNE à la TERRE (« E »).

POSITION DE MONTAGE :

La hauteur d'installation recommandée du COLORADO est de 1,8 m - 2,4 m (71" - 95") du sol. Plus le radiateur est placé bas, plus la chaleur est intense.

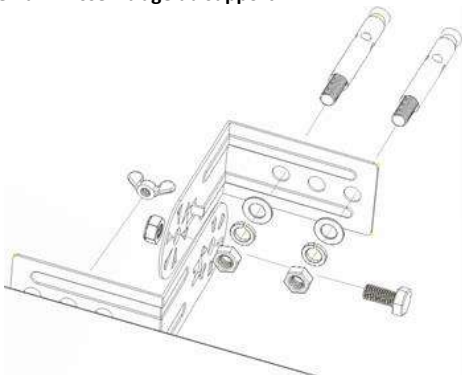
Le COLORADO ne doit en aucun cas être installé à moins de 1,8 m (71") du sol. Il faut tenir compte de tout ajout temporaire ou occasionnel, comme des scènes ou des plates-formes, et ajuster en conséquence. Pour une utilisation à l'extérieur ou dans d'autres zones avec mouvement d'air/vent, la propagation infrarouge directionnelle peut être réduite de 1/3 à 1/2. Dans tous les endroits, assurez-vous que les pièces chaudes ne sont pas touchées accidentellement.

Des supports pivotants muraux sont fournis avec l'appareil de chauffage qui a été spécialement conçu pour permettre à ce produit d'être installé sur un mur avec des dégagements adéquats à l'arrière de l'appareil. Ne montez pas le radiateur avec un autre support que ceux fournis.

Les côtés et les extrémités du radiateur doivent toujours être à au moins 300 mm (12") du mur, du plafond ou de toute autre structure le plus proche.

INSTALLATION:

Schéma 1 : Assemblage du support



Le matériel de montage comprend :

- 4 pièces de support - s'assemblent pour former 2 supports avec un pivot central. La lame en saillie sur chaque support s'adapte sur l'extrémité circulaire du support opposé pour assurer l'angle de pivotement correct.
- 4 x boulons à expansion de maçonnerie M6x60 (pour la fixation des supports sur le mur).
- 2 x écrous à oreilles pour fixer les supports à l'arrière du radiateur.
- 2 x petits boulons et contre-écrous (pour former le pivot sur les supports).

En utilisant les supports comme gabarit, marquez et percez des trous de 4 x 8 mm dans le mur. Insérez les chevilles dans le mur et placez les supports, les rondelles, les rondelles élastiques et les écrous sur les extrémités filetées exposées. Le serrage des écrous forcera l'extrémité de la fiche à se dilater dans le mur et formera un support sécurisé pour le radiateur. Installez le support opposé à l'arrière du radiateur avant d'insérer et de serrer le boulon et l'écrou pour chaque charnière.

Schéma 2 : Position correcte du mur/plafond

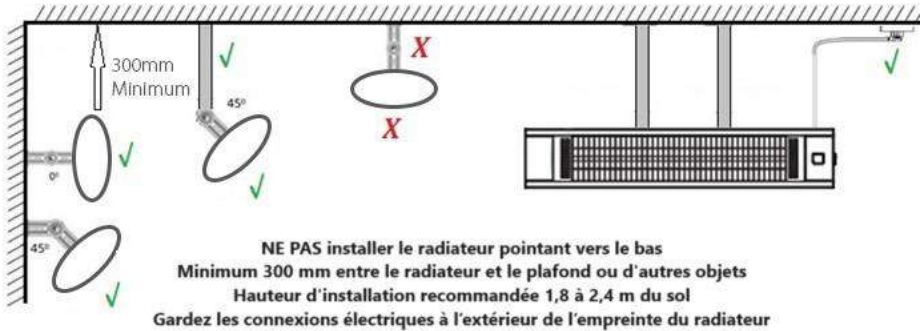
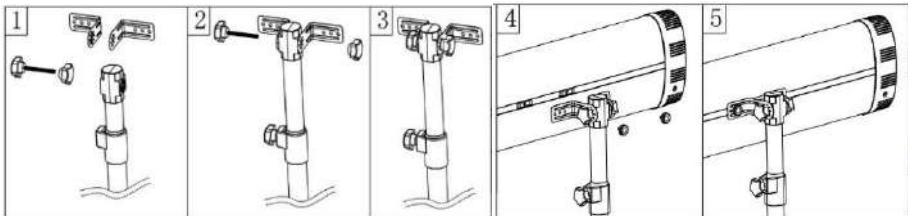


Schéma 3 : Installation à l'aide d'un pied

Le Colorado peut être installé sur un support réglable (modèle M-Stand, disponible séparément). L'installation est facile en suivant les schémas ci-dessous.



MISE EN GARDE:

- Assurez-vous que l'alimentation secteur est coupée avant de commencer l'installation.
- Le câble d'alimentation fourni ne doit pas entrer en contact avec la surface supérieure du radiateur pendant le fonctionnement.
- Le radiateur ne doit pas être situé juste en dessous d'une prise de courant. Les connexions électriques doivent être effectuées à l'extérieur de l'empreinte de l'unité pour éviter l'accumulation de chaleur. Si l'appareil de chauffage doit être monté sur une pente (par exemple, un toit en pente), assurez-vous que la connexion électrique est située sous l'extrémité la plus basse de l'appareil de chauffage.
- Les solives, poutres et chevrons ne doivent pas être coupés ou encochés pour installer l'appareil.
- Ce radiateur n'est pas conçu pour une installation encastrée au plafond. Ne pas installer pointant directement vers le bas.
- La marque d'identification et la référence du modèle doivent être visibles après l'installation.

- Le COLORADO ne doit pas être fixé face ou à proximité de tout matériau combustible (par exemple, revêtement en bois ou en PVC, fascia ou soffite) ou d'autres matériaux qui pourraient souffler sur le radiateur.
- L'isolation des câbles fixes entrant en contact avec des pièces dont l'échauffement est supérieur à 50°C doit être protégée, par exemple, par des gaines ayant une température nominale appropriée.
- Faites attention lorsque vous installez le support de chauffage que le chauffage ne peut pas être accidentellement touché, renversé ou que le fil provoque un risque de trébuchement.
- Ne placez jamais le support et le radiateur à côté d'une piscine, d'un étang ou d'une autre source d'eau.

UTILISATION INITIALE :

L'interrupteur d'alimentation sur le côté du COLORADO a 3 positions :

- Position O (Désactivé)
- Position I (Bypass à distance)
- Position II (Télécommande).



ATTENTION :

L'interrupteur d'alimentation peut basculer par inadvertance en position I (dérivation à distance) pendant le déballage et l'installation. Pour éviter tout risque de brûlure, assurez-vous que l'interrupteur d'alimentation est en position OFF (marqué O sur l'interrupteur) avant de mettre sous tension.

Position I. Pour contourner la télécommande, placez l'interrupteur de l'appareil de chauffage en position I. Lorsque l'interrupteur est dans cette position, l'appareil de chauffage s'allumera ou s'éteindra selon qu'il est alimenté ou non. La télécommande ne contrôlera pas le radiateur lorsque l'interrupteur est en position I. Utilisez-le lorsque vous souhaitez câbler le radiateur à un dispositif de commutation tel qu'une minuterie à bouton-poussoir ou un thermostat.

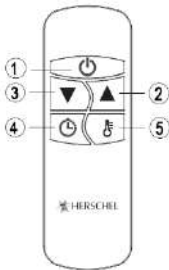
Poste II. Pour utiliser le radiateur avec la télécommande, assurez-vous que l'interrupteur du radiateur est en position II.

Insérez 2 piles alcalines AAA dans la télécommande.

La télécommande permet d'allumer ou d'éteindre le radiateur à distance avec un niveau de chaleur et une minuterie réglables décrits ci-dessous. Toutes les télécommandes Herschel ont la même fréquence, il est donc possible de contrôler plusieurs radiateurs avec une seule télécommande.

Il peut y avoir une odeur ou de la vapeur de l'appareil de chauffage lors de la première utilisation ou s'il n'a pas été utilisé pendant une période prolongée. C'est normal.

FONCTIONNEMENT PAR TÉLÉCOMMANDE :



Fonction de télécommande			
Bouton	Fonction (chauffage allumé)	Fonction (chauffage éteint)	Affichage LED sur le chauffage
1	Allume ou éteint le chauffage		
2	Augmenter le niveau de chaleur ou les heures de la minuterie	Allume le chauffage au niveau 1 (minimum)	L1
3	Diminuer le niveau de chaleur ou les heures de la minuterie	Allume le chauffage au niveau 4 (maximum)	L4
4	Activer le réglage de la minuterie		00 - 24
5	Activer le réglage du niveau de chaleur		L [n]

Toutes les télécommandes Herschel ont la même fréquence, il est donc possible de contrôler plusieurs radiateurs avec une seule télécommande.

Protection de sécurité et d'économie d'énergie :

- Si un radiateur avec télécommande reste allumé en continu pendant une semaine (168 heures), le radiateur s'éteindra automatiquement et devra être redémarré.
- Les radiateurs avec télécommande sont équipés d'un interrupteur de surchauffe qui coupe l'alimentation du radiateur s'il détecte une surchauffe dans l'électronique. Veuillez laisser le radiateur refroidir pendant 15 minutes avant d'essayer de redémarrer.

ENTRETIEN UTILISATEUR :

Le radiateur peut être essuyé avec un chiffon doux et humide. N'utilisez pas de détergents abrasifs pour nettoyer l'appareil. Dans les environnements marins, l'unité peut être nettoyée doucement avec de l'eau propre avec l'ALIMENTATION ÉTEINTE et complètement refroidie. Après le nettoyage, il est conseillé de chauffer l'appareil de chauffage pendant 10 à 20 minutes pour sécher l'appareil et éviter les taches. La lampe utilisée dans le Herschel Colorado a une durée de vie ultra longue (jusqu'à 10 000 heures). Le remplacement de la lampe ne doit être effectué que par du personnel qualifié en suivant les instructions disponibles sur le site Web de Herschel.

DÉPANNAGE :

E1 Erreur à l'écran :

Surchauffe de l'unité de commande. Vérifiez les dégagements d'installation.
Laissez le radiateur refroidir pendant 15 minutes et redémarrez le radiateur.

L1,2,3,4 s'affiche à l'écran, mais pas de chaleur : lampe est endommagée. Organisez le remplacement de lampe avec votre revendeur Herschel.

INFORMATIONS TECHNIQUES:

Puissance nominale :	2500W à 220-240V
Élément chauffant:	Lampe chauffante au carbone ultra longue durée (jusqu'à 10 000 heures)
Réflecteur:	Miroir en aluminium (98% de réflexion empêchant la perte de chaleur vers l'arrière)
Dimensions:	900 x 174 x 100 mm
Télécommande:	4 niveaux de puissance (incréments de puissance de 20%) et minuterie de 0 à 24 heures (incréments de 24 x 1 heure)
Temps de préchauffage:	5-10 secondes
Plage de longueur d'onde utile :	2 - 5µm
Poids:	3kg
Garantie:	2 ans (hors lampe et télécommande)
Protection:	IP55

GARANTIE:

Enregistrez votre produit ici :

<https://www.herschel-infrarouge.fr/service-clients/enregistrement-garantie/> Le Herschel COLORADO est garanti contre les pannes dues à un défaut de matériaux ou de fabrication pendant deux ans à compter de la date d'achat hors lampe et télécommande. La garantie sera invalidée si l'appareil est ouvert, altéré ou mal utilisé. Dans le cas improbable d'une défaillance de l'unité dans ce délai, l'unité doit être renvoyée au fournisseur pour réparation ou remplacement. La garantie n'est pas valable si les instructions d'installation correctes telles que données dans cette brochure n'ont pas été respectées. Reportez-vous à la politique de garantie de Herschel Infrared Ltd pour plus de détails.

Voir <https://www.herschel-infrarouge.fr/>

Notez votre numéro de série ici :

ÉQUIPEMENT ÉLECTRIQUE:

Les déchets de produits électriques ne doivent pas être jetés avec les ordures ménagères. Veuillez recycler là où les installations existent.

AVIS IMPORTANT À L'ACHETEUR :

Avant d'utiliser le produit, vous devez déterminer l'adéquation du produit à l'usage auquel il est destiné. HERSCHEL INFRARED LTD décline expressément les garanties et conditions implicites de qualité marchande et d'adéquation à un usage particulier. En aucun cas, HERSCHEL INFRARED LTD ne pourra être tenu responsable en vertu d'une quelconque théorie juridique, y compris, mais sans s'y limiter, la responsabilité contractuelle ou stricte, pour tout dommage direct, indirect spécial, accessoire ou consécutif résultant de l'utilisation du produit

WICHTIGE SICHERHEITSVORKEHRUNGEN

LESEN SIE DIESE ANWEISUNGEN SORGFÄLTIG DURCH UND BEWAHREN SIE DIESE AUF.

Die Nichtbeachtung dieser Anweisungen führt zum Erlöschen der Garantie.

Diese Einheit kann eine Quelle für mögliche Erschütterungen sein.

Demontieren Sie nur, um die Glühbirne zu ersetzen. Keine vom Benutzer wartbaren Teile im Inneren.

Quelle der möglichen Zündung.



WARNUNG

UM DAS RISIKO VON FEUER, STROMSCHLÄGEN ODER VERLETZUNGEN ZU VERRINGERN:

1. Nehmen Sie das Gerät aus der Verpackung und überprüfen Sie es auf guten Zustand, bevor Sie es installieren und in Betrieb nehmen.
2. Senden Sie die Verpackung dem Recycling zu. Lassen Sie Kinder NICHT mit Plastiktüten oder anderen Teilen der Verpackung spielen.
3. VORSICHT: Stromschlaggefahr
 - A. Dieses Gerät muss während der Installations- oder Servicearbeiten und wenn ersetzen.
 - B. Verwenden Sie dieses Heizgerät NICHT in der unmittelbaren Umgebung eines Bades, einer Dusche oder eines Schwimmbeckens oder Whirlpools, wo es in einen mit Wasser gefüllten Behälter fallen könnte.
 - C. Schalter und andere Bedienelemente dürfen sich in einer Badewanne, einem Pool, einem Whirlpool oder einer Dusche nicht in Reichweite einer Person befinden.
 - D. Berühren Sie dieses Heizgerät oder seine Bedienelemente NICHT mit nassen Händen.
 - e. Stromkabel NICHT in Wasser oder andere Flüssigkeiten eintauchen lassen.
 - F. Öffnen Sie das Heizgerät NICHT und versuchen Sie NICHT, es selbst zu reparieren. Die Wartung sollte nur von qualifiziertem Personal durchgeführt werden.
4. Um Überhitzung und potenzielle Brandgefahr zu vermeiden, decken Sie das Heizgerät unter keinen Umständen ab. Wenn die Heizung während des Betriebs versehentlich abgedeckt werden, schalten Sie es sofort aus und entfernen Sie alle Fremdkörper, die die Heizung bedeckt oder sich im Grill festsetzt.
5. Das Gerät muss mit einem Mindestabstand von 1800 mm (71") zum Boden und 300 mm (12") Abstand oben installiert werden und Seiten der Heizung.
6. Berühren Sie das Heizgerät NICHT während des Betriebs. Teile des Heizgeräts können während des Betriebs 200°C / 392°F überschreiten. Kontakt mit dem Heizung während des Betriebs kann zu schweren Verbrennungen führen. Berühren Sie das Heizgerät während oder 10 Minuten nach dem Betrieb nicht.
7. Verwenden Sie das Heizgerät NICHT, wenn das Netzkabel beschädigt ist. Diese muss vom Hersteller, seinem Servicepartner oder ähnlich qualifizierte Personen, um eine Gefährdung zu vermeiden.
8. Verwenden Sie das Heizgerät NICHT, um Materialien zu entzünden. NICHT an Orten betreiben, an denen Benzin, brennbare Flüssigkeiten oder andere



Übersetzung der Originalanleitung für COLORADO 2500R, produziert ab 072021. SAA-Zertifikat SAA-211697-EA



flüchtige Stoffe.

9. Installieren Sie das Heizgerät NICHT direkt nach unten zeigend.

10. Installieren Sie dieses Heizgerät NICHT in der Nähe von brennbaren Gegenständen oder zeigen Sie auf diese in einem Umkreis von 1 Meter oder wo Gardinen, Handtücher oder andere brennbare Gegenstände können auf das Heizgerät geblasen werden.

11. Dieses Heizgerät darf nur zum Heizen von Personen im Freien oder in geschlossenen Räumen verwendet werden. Der COLORADO ist nicht

zur Verwendung durch Kinder oder Personen mit eingeschränkten körperlichen, sensorischen oder geistigen Fähigkeiten oder Mangel an Erfahrung oder Wissen, unabhängig davon, ob sie unterwiesen wurden oder unter Aufsicht stehen. Kinder sollten ferngehalten werden und sollten

in der Nähe des Geräts nicht unbeaufsichtigt gelassen werden.

12. Alle Bediener dürfen das Gerät nur ein- und ausschalten, wenn es in seiner vorgesehenen normalen Position aufgestellt oder installiert wurde

Betriebsposition und sie wurden beaufsichtigt oder in die sichere Verwendung des Geräts eingewiesen und die damit verbundenen Gefahren verstehen. Kinder dürfen das Gerät nicht anschließen, einschalten oder regulieren oder Benutzerwartungen durchführen inklusive Reinigung.

13. Lassen Sie das Heizgerät NICHT unbeaufsichtigt in Betrieb.

14. Halten Sie während des Betriebs NIEMALS die Hände unter das Heizelement.

15. WICHTIG: Stellen Sie sicher, dass die Versorgungsspannung 240 Volt nicht überschreitet.

BEWAHREN SICH DIESE ANWEISUNGEN AUF.

WASSEREINDRINGSCHUTZ:

Herschel COLORADO erfüllt die IP55 Norm und kann daher im Freien montiert und gelegentlichem Regen ausgesetzt werden. Um die Lebensdauer der Heizung zu verlängern, empfehlen wir, sie vor Witterungseinflüssen zu schützen. Herschel COLORADO ist nicht für die Installation an Orten gedacht, die dauerhaft feucht sind.

Die Installation in potenziell feuchten Räumen, wie z. B. Badezimmern, muss von einem qualifizierten Installateur durchgeführt werden und den örtlichen elektrischen Sicherheitsanforderungen entsprechen. Die Installation muss so sein, dass

- Das Heizgerät darf sich nicht von den Armaturen lösen und in eine Badewanne, Dusche, ein Schwimmbecken oder einen anderen Wasserbehälter fallen;
- Schalter und andere Bedienelemente können nicht von einer Person in der Badewanne oder Dusche berührt werden.

Im Zweifelsfall nicht installieren. Herschel Infrared Ltd haftet nicht für Verluste, Schäden oder Verletzungen, die durch unzureichende Montage oder falsche Platzierung von Heizgeräten in der Nähe von Wasserquellen verursacht werden.

ELEKTRISCHE INFORMATION:

Der Herschel COLORADO kann an eine wasserdichte Steckdose angeschlossen werden. Jedes verwendete Verlängerungskabel muss eine ausreichende Kapazität haben, um den vom Heizgerät benötigten Strom zu führen, wie in Tabelle 1 gezeigt. Alle Stecker, Steckdosen und Schalter, die für den Einsatz im Freien bestimmt sind, müssen einen geeigneten Schutz gegen das Eindringen von Wasser aufweisen.

Alternativ kann der Stecker abgezogen und das Gerät an eine feste Netzleitung angeschlossen werden. Festverkabelte Installationen dürfen nur von sachkundigen Personen oder einer Elektrofachkraft gemäß den nationalen Vorschriften durchgeführt werden und das Gerät muss geerdet werden. Die Stromversorgung des Geräts sollte durch den Anschluss an eine für die elektrische Nennleistung des Geräts geeignete Schutzvorrichtung gemäß Tabelle 1 und eine beidseitige Trennung erfolgen. Alle festen Kabel müssen eine ausreichende Kapazität haben, um den vom Heizgerät benötigten Strom zu führen.

Trennen Sie das Heizgerät immer vom Strom, wenn es nicht verwendet wird.

Tabelle 1. Elektrische Spezifikation

Model	Nennleistung	Stromspannung	Strom	Frequenz	Sicherung (Minimum)
COLORADO 2500R	2500W	230V	10.9A	50/60Hz	13A

Die Montageposition des Geräts muss sicherstellen, dass mechanische Beschädigungen des flexiblen Kabels unwahrscheinlich sind. Jedes freiliegende flexible Kabel muss herunterhängen (nicht angebunden) und muss einen ausreichenden Abstand von der Heizung haben, um ein Verbrennen oder eine Beschädigung des Kabels zu verhindern. Im mitgelieferten Netzkabel verwendete Farbcodierung: BRAUNES Kabel wird an LIVE ('L'), BLAUES Kabel an NEUTRAL ('N') und GRÜN / GELBES Kabel an ERDE ('E') angeschlossen.

MONTAGEPOSITION:

Die empfohlene Montagehöhe der COLORADO beträgt 1,8 m - 2,4 m über dem Boden. Je niedriger der Heizstrahler, desto intensiver die Erwärmung.

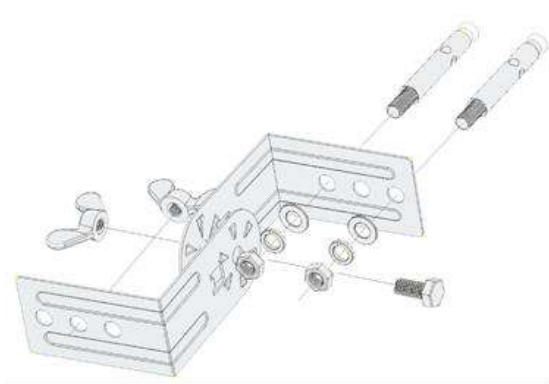
Der COLORADO sollte nie mit einem geringeren Abstand, weniger als 1,8 m über dem Boden, installiert werden. Alle temporären oder gelegentlichen Ergänzungen, wie Bühnen oder Plattformen, sollten berücksichtigt und entsprechend angepasst werden. Für den Einsatz im Freien oder in anderen Bereichen mit Luft-/Windbewegung kann die gerichtete Infrarotausbreitung von 1/3 auf 1/2 reduziert werden. Stellen Sie an allen Orten sicher, dass heiße Teile nicht versehentlich berührt werden.

Mit dem Heizstrahler werden schwenkbare Wandhalterungen geliefert, die speziell für die Installation dieses Produkts an einer Wand mit ausreichendem Abstand hinter dem Heizgerät entwickelt wurden. Montieren Sie den Heizstrahler nicht mit anderen Halterungen, als den mitgelieferten.

Die Seiten und Enden des Heizstrahlers sollten immer mindestens 300 mm von der nächsten Wand, Decke oder anderen Struktur entfernt sein.

INSTALLATION:

Das Montagematerial beinhaltet:



- 4 Stützteile - zusammenfügen, um 2 Stützen mit einem zentralen Drehpunkt zu bilden. Die hervorstehende Klinge an jeder Halterung passt über das kreisförmige Ende der gegenüberliegenden Halterung, um den richtigen Schwenkwinkel zu gewährleisten.

- 4 x Mauerwerkspreizdübel M6x60 (zur Wandbefestigung der Konsolen).

- 2 x Flügelmuttern zur Befestigung der Halterungen an der Rückseite des Kühlers.

- 2 x kleine Schrauben und Kontermuttern (um den Drehpunkt an den Halterungen zu bilden).

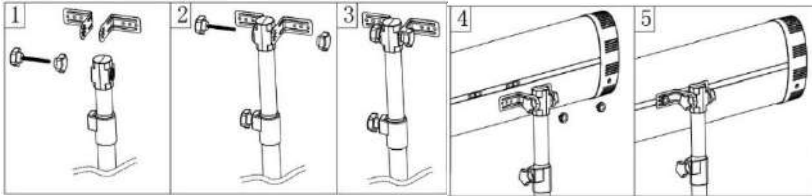
Verwenden Sie die Halterungen als Schablone, markieren und bohren Sie 4 x 8 mm Löcher in die Wand. Setzen Sie die Dübel in die Wand ein und legen Sie die Halterungen, Unterlegscheiben, Federscheiben und Muttern über die freiliegenden Gewindeenden. Durch das Anziehen der Muttern wird das Ende des Steckers gezwungen, sich in die Wand auszudehnen und eine sichere Halterung für den Heizkörper zu bilden.

Installieren Sie die gegenüberliegende Halterung an der Rückseite des Kühlers, bevor Sie die Schraube und Mutter für jedes Scharnier einsetzen und festziehen.

Diagramm 1: Korrekte Wand- / Deckenposition

Diagramm 3: Installation mit einem Ständer

Der Colorado kann auf einem eigenen Ständer installiert werden (separat erhältlich). Die Installation ist einfach mit den mitgelieferten Klammern, die den folgenden Abbildungen zu sehen sind.



Die Heizung verfügt über eine Umkippfunktion, die die Stromversorgung unterbricht, wenn das Gerät einen Winkel von mehr als 45 ° erkennt.

! VORSICHT:

- Stellen Sie sicher, dass die Netzspannung ausgeschaltet ist, bevor Sie mit der Installation beginnen.
- Das mitgelieferte Netzkabel darf während des Betriebs die Oberseite des Heizelements nicht berühren.
- Der Heizkörper darf nicht unmittelbar unter einer Steckdose liegen. Elektrische Anschlüsse müssen außerhalb des Standorts des Geräts vorgenommen werden, um Hitzestau zu vermeiden. Wenn das Heizgerät an einer Schräge montiert werden soll (z. B. Schrägdach), stellen Sie sicher, dass sich die elektrische Verbindung unter dem untersten Ende des Heizelements befindet.
- Balken, Balken und Sparren dürfen nicht ausgeschnitten oder gekerbt werden, um das Gerät zu installieren.
- Diese Heizung ist nicht für die Deckeninstallation vorgesehen. Installieren Sie nicht direkt nach unten zeigend.
- Die Identifikationsmarke und Modellreferenz sollte nach der Installation sichtbar sein.
- Der COLORADO darf nicht in der Nähe brennbarer Materialien (z. B. Holz- oder PVC-Verkleidung, Verkleidung oder Untersicht) oder anderen Materialien, die auf das Heizgerät auftreffen könnten, angebracht werden.
- Die feste Kabelisolierung, die mit Teilen mit einer Temperaturerhöhung von mehr als 50 ° C in Berührung kommt, muss geschützt werden, z. B. durch einen Schlauch mit entsprechender Temperatur.
- Seien Sie vorsichtig, wenn Sie das Heizgerät so aufstellen, dass das Heizgerät nicht versehentlich berührt oder umgestoßen werden kann oder dass der Draht Stolperfallen verursacht.
- Stellen Sie den Ständer und das Heizgerät niemals neben einem Schwimmbecken, Teich oder einer anderen Wasserquelle auf.

ERSTINBETRIEBNAHME:

Der Netzschalter an der Seite des COLORADO hat 3 Positionen:

- Position O (Aus)
- Position I (Fern-Bypass)
- Position II (Fernbedienung).

**ACHTUNG:**

Der Netzschalter kann beim Auspacken und Installieren unbeabsichtigt in Position I (Remote Bypass) geschaltet werden. Um Verbrennungen zu vermeiden, vergewissern Sie sich, dass sich der Netzschalter in der Position OFF (auf dem Schalter mit O gekennzeichnet) befindet, bevor Sie den Netzstrom einschalten.

Position I. Um die Fernbedienung zu umgehen, drehen Sie den Schalter am Heizgerät auf Position I. Wenn sich der Schalter in dieser Position befindet, schaltet sich das Heizgerät ein oder aus, je nachdem, ob es mit Strom versorgt wird. Die Fernbedienung steuert das Heizgerät nicht, wenn sich der Schalter in Position I befindet. Verwenden Sie diese Option, wenn Sie das Heizgerät fest mit einem Schaltgerät wie einem Druckknopf-Timer oder Thermostat verdrahten möchten.

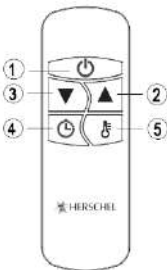
Stellung II. Um das Heizgerät mit der Fernbedienung zu verwenden, stellen Sie sicher, dass der Schalter des Heizgeräts auf Position II steht.

Legen Sie 2 x AAA Alkaline-Batterien in die Fernbedienung ein.

Die Fernbedienung steuert das Heizgerät aus der Ferne mit einstellbarer Heizstufe und Timer, wie unten beschrieben.

ANFANGSGEBRAUCH:

Das Gerät kann bei der ersten Verwendung Geruch oder Dampf entwickeln oder wenn das Heizgerät längere Zeit nicht benutzt wurde. Das ist normal.

BETRIEB MIT FERNBEDIENUNG:

Fernbedienung Funktion			
Taste	Funktion (Heizung ein)	Funktion (Heizung aus)	LED-Anzeige am Heizelement
1	Schaltet Heizung ein oder aus		
2	Erhöhen Sie die Heizstufe oder Timer Stunden	Schaltet Heizung auf Stufe 1 (Minimum)	L1
3	Verringern Sie die Heizstufe oder die Timer-Stunden	Schaltet Heizung auf Stufe 4 (Maximum)	L4
4	Aktivieren Sie die Timer-Einstellung		00 - 24
5	Aktivieren Sie die Heizstufeneinstellung		L [n]

Alle Herschel Fernbedienungen haben die gleiche Frequenz, so ist es möglich, mehrere Heizungen mit nur einer Fernbedienung zu steuern.

BENUTZERWARTUNG:

Das Heizgerät kann mit einem weichen, feuchten Tuch abgewischt werden. Verwenden Sie keine Scheuermittel zum Reinigen des Geräts. In Meeresumgebungen kann das Gerät vorsichtig mit sauberem Wasser gesprüht werden, wenn das Gerät ausgeschaltet und vollständig abgekühlt ist. Nach der Reinigung ist es ratsam, das Heizgerät 10 - 20 Minuten lang zu erwärmen, um das Gerät zu trocknen und Flecken zu vermeiden.

Die im Herschel Colorado verwendete Lampe hat eine extrem lange Lebensdauer (10.000 Stunden). Das Auswechseln der Lampe sollte nur von entsprechend qualifiziertem Personal unter Verwendung der auf der Herschel-Website verfügbaren Anweisungen durchgeführt werden.

FEHLERBEHEBUNG:

E1 Fehler am Display:	Überhitzung des Steuergeräts. Überprüfen Sie die Installationsabstände. Heizgerät 15 Minuten abkühlen lassen und Heizgerät neu starten.
L1,2,3,4 wird angezeigt, aber keine Wärme entsteht:	Lampe ist beschädigt. Vereinbaren Sie Ersatzlampen mit Ihrem Herschel-Händler.

TECHNISCHE INFORMATIONEN:

Nennleistung:	2500W bei 230V
Heizelement:	'Ultra Long Life Carbon' Heizlampe (10,000 Stunden)
Reflektor:	Spiegel Aluminium (98% Reflektion – Heizverlust Vermeidung)
Dimensionen:	900 x 174 x 100 mm
Fernbedienung (nur für 2600R):	4 Leistungsstufen (20% Leistungszunahme) & 9 Stunden timer (9x1 Stunde)
Aufwärmzeit:	5-10 Sekunden
NutzbarerWellenlängenbereich:	2 - 5µm
Gewicht:	3kg
Garantie:	2 Jahre (Ohne Glühbirne und Fernbedienung)
Schutz:	IP55

GARANTIE:

Registrieren Sie Ihr Produkt hier:

<https://www.herschel-infrarotheizung.de/kundendienst/garantieregistrierung/>

Für den Herschel COLORADO gilt eine Garantie von zwei Jahren ab Kaufdatum auf Material- und Herstellungsfehler mit Ausnahme der Lampe und der Fernbedienung. Die Garantie wird ungültig, wenn das Gerät geöffnet, manipuliert oder falsch verwendet wird. Im unwahrscheinlichen Fall, dass das Gerät innerhalb dieser Zeit ausfällt, muss das Gerät zur Reparatur oder zum Austausch an den Lieferanten zurückgeschickt werden. Die Garantie ist ungültig, wenn die in dieser Packungsbeilage angegebenen Installationsanweisungen nicht eingehalten wurden. Ausführliche Informationen finden Sie in den Garantiebestimmungen von Herschel Infrared Ltd.

Siehe <https://www.herschel-infrarotheizung.de>.

Notieren Sie hier Ihre Seriennummer:

ELEKTRISCHE AUSSTATTUNG:



Elektrogeräte sollten nicht mit dem Hausmüll entsorgt werden. Bitte recyceln Sie, wo Einrichtungen vorhanden sind.



WICHTIGER HINWEIS FÜR KÄUFER:

Bevor Sie das Produkt verwenden, sollten Sie die Eignung der vorgesehenen Verwendung des Produktes festlegen. HERSCHEL INFRARED LTD lehnt ausdrücklich die Garantien und Bedingungen der Marktgängigkeit und Eignung für bestimmte Zwecke ab. HERSCHEL INFRARED LTD haftet nicht nach irgendeiner Rechtstheorie, einschließlich, aber nicht beschränkt auf Vertrags- oder verschuldensunabhängige Haftung, für direkte, indirekte, spezielle, zufällige oder Folgeschäden, die aus der Verwendung des Produkts resultieren.

BELANGRIJKE VEILIGHEIDSMATREGELEN LEES DEZE INSTRUCTIES ZORGVULDIG EN BEWAAR VOOR TOEKOMSTIGE REFERENTIE.

Het niet naleven van deze instructies maakt de garantie ongeldig.

Dit toestel kan een bron van mogelijke schokken zijn.

Demonteer alleen om de lamp te vervangen.

Geen door de gebruiker te onderhouden onderdelen binnenin.

Bron van mogelijke ontsteking.



WAARSCHUWING

OM RISICO OP BRAND, ELEKTRISCHE SCHOK OF LETSEL TE VERMINDEREN:

1. Haal het apparaat uit de verpakking en controleer of het in goede staat is voordat u het installeert en in gebruik neemt.
2. Stuur de verpakking op voor recycling. Laat kinderen NIET spelen met plastic zakken of andere delen van de verpakking.
3. LET OP: Risico op elektrische schokken
 - A. Dit apparaat moet worden losgekoppeld van de stroombron tijdens installatie- of servicewerkzaamheden en wanneer vervangen.
 - B. Gebruik deze kachel NIET in de directe omgeving van een bad, douche of zwembad of bubbelbad waar het in een bak vol water kan vallen.
 - C. Schakelaars en andere bedieningselementen mogen zich niet binnen het bereik van een persoon bevinden in een bad, zwembad, bubbelbad of douche.
 - D. Raak deze kachel of de bedieningselementen NIET aan met natte handen.
 - E. Laat stroomkabels NIET ondergedompeld worden in water of een andere vloeistof.
 - F. Open de kachel NIET en probeer deze NIET zelf te repareren. Onderhoud mag alleen worden uitgevoerd door gekwalificeerd personeel.
4. Om oververhitting en mogelijk brandgevaar te voorkomen, mag u de kachel in geen geval afdekken. Als de verwarming per ongeluk bedekt zou raken tijdens het gebruik, schakel het dan onmiddellijk uit en verwijder alle vreemde voorwerpen die de Heater bedekt of vast komen te zitten in de grill.
5. De unit moet worden geïnstalleerd met een minimale vrije ruimte van 1800 mm (71") tot de vloer en 300 mm (12") vrije ruimte aan de bovenkant en zijkanten van de heater.
6. Raak de kachel NIET aan wanneer deze in gebruik is. Delen van de verwarmers kunnen tijdens het gebruik de 200°C / 392°F overschrijden. Contact met de verwarming tijdens bedrijf kan ernstige brandwonden veroorzaken. Raak de kachel niet aan tijdens of gedurende 10 minuten na gebruik.
7. Gebruik de heater NIET als het netsnoer beschadigd is. Deze moet worden vervangen door de fabrikant, zijn serviceagent of personen met vergelijkbare kwalificaties om gevaar te voorkomen.
8. Gebruik de heater NIET om materialen te ontsteken. Werk NIET op locaties met benzine, ontvlambare vloeistoffen of andere vluchtige stoffen.
9. Installeer de heater NIET rechtstreeks naar beneden gericht.
10. Installeer deze heater NIET in de buurt van of wijzend naar ontvlambare objecten binnen 1 meter of waar gordijnen, handdoeken of andere brandbare voorwerpen kunnen op de heater worden geblazen.
11. Deze heater mag alleen worden gebruikt voor het verwarmen van mensen buiten of binnen in een niet-afgesloten ruimte. De COLORADO is niet te gebruiken door kinderen of personen met verminderde fysieke, zintuiglijke of mentale vermogens, of gebrek aan ervaring of kennis, ongeacht of



NEDERLANDS

ze instructie hebben gekregen of onder toezicht staan. Kinderen moeten uit de buurt worden gehouden en moeten: niet zonder toezicht in de buurt van het apparaat worden achtergelaten.

12. Alle operators mogen het apparaat alleen in-/uitschakelen als het is geplaatst of geïnstalleerd in de beoogde normale toestand bedieningspositie en ze onder toezicht staan of instructies hebben gekregen over het veilige gebruik van het apparaat en de gevaren begrijpen. Kinderen mogen het apparaat niet aansluiten, inschakelen of regelen of gebruikersonderhoud uitvoeren inclusief schoonmaak.
13. Laat de heater NIET onbeheerd werken.
14. Plaats NOOIT uw handen onder het verwarmingselement tijdens het gebruik.
15. BELANGRIJK: Zorg ervoor dat de voedingsspanning niet hoger is dan 240 Volt.

BEWAAR DEZE INSTRUCTIES.

BESCHERMING TEGEN WATERINDRINGING:

De Herschel COLORADO is volgens een beschermingsklasse IP55 geclassificeerd, waardoor hij buitenshuis kan worden gemonteerd en aan occasionele regen kan worden blootgesteld. Om de levensduur van de heater te verlengen, raden we aan deze op een plaats met bescherming tegen weersinvloeden te installeren. Herschel COLORADO is niet bedoeld voor installatie op locaties die permanent nat of vochtig zijn.

Installatie in potentieel natte of vochtige ruimtes zoals badkamers moet door een gekwalificeerde installateur worden uitgevoerd en moet aan de lokale elektrische veiligheidsvoorschriften voldoen. De installatie moet zodanig zijn dat:

- het toestel niet van de armaturen kan loskomen en in een badkuip, douche, zwembad of ander waterreservoir kan vallen;
- schakelaars en andere bedieningselementen niet door een persoon in bad of onder de douche kunnen aangeraakt worden.

Bij twijfel niet installeren. Herschel Infrared Ltd is niet aansprakelijk voor verlies, schade of letsel veroorzaakt door of als gevolg van een onjuiste montage of onjuiste plaatsing van heaters in de buurt van waterbronnen.

ELECTRISCHE INFORMATIE:

De Herschel COLORADO kan worden aangesloten op een waterdicht stopcontact. Elk verlengsnoer dat wordt gebruikt, moet voldoende capaciteit hebben om de stroom te voeren die door de verwarming wordt vereist, zoals weergegeven in tabel 1. Alle stekkers, stopcontacten en schakelaars die bedoeld zijn voor gebruik buitenshuis, moeten een geschikte bescherming hebben tegen het binnendringen van water.

Als alternatief kan de stekker worden verwijderd en kan de unit worden aangesloten op vaste netbedrading. Installaties met vaste bedrading mogen alleen worden uitgevoerd door competente personen of een gekwalificeerde elektricien in overeenstemming met de nationale voorschriften en de unit moet worden geaard. De elektrische voeding naar de unit moet worden geleverd door een stroombeveiligingsapparaat aan te sluiten dat geschikt is voor de elektrische classificatie van de unit in overeenstemming met Tabel 1 en te zorgen voor ont koppeling in beide polen. Alle vaste bedrading moet voldoende capaciteit hebben om de door de verwarming vereiste stroom te voeren.

Koppel de kachel altijd los van de stroom wanneer deze niet in gebruik is.

Tabel 1. Electriche Specificaties

Model	Nominaal vermogen	Spanning	Stroom	Frequentie	Zekering (Minimaal)
COLORADO 2500R	2500W	220-240V	10.9A	50/60Hz	13A

De montagepositie van de unit moet ervoor zorgen dat mechanische schade aan de soepele kabel onwaarschijnlijk is. Elke blootliggende soepele kabel moet naar beneden hangen (niet vastgebonden) en moet voldoende afstand tot de verwarming hebben om verschroeien of beschadiging van de kabel te voorkomen. Kleurcoderingen gebruikt in de meegeleverde voedingskabel: BRUINE draad moet worden aangesloten op FASE ('L'), de BLAUWE draad op NUL ('N') en de GROEN / GEEL draad op AARDE ('E').

MONTAGEPOSITIE:

De aanbevolen installatiehoogte van COLORADO is 1,8 m - 2,4 m (71 " - 95") vanaf de grond. Hoe lager de radiator, hoe intenser de hitte.

De COLORADO mag nooit op minder dan 1,8 m (71 ") van de grond worden geïnstalleerd. Alle tijdelijke of incidentele toevoegingen, zoals scènes of platforms, moeten worden overwogen en dienovereenkomstig worden aangepast. Voor gebruik buitenshuis of in andere gebieden met lucht- / windbeweging, kan de directionele infraroodvoortplanting worden verminderd van 1/3 tot 1/2. Zorg er op alle locaties voor dat hete onderdelen niet per ongeluk worden aangeraakt.

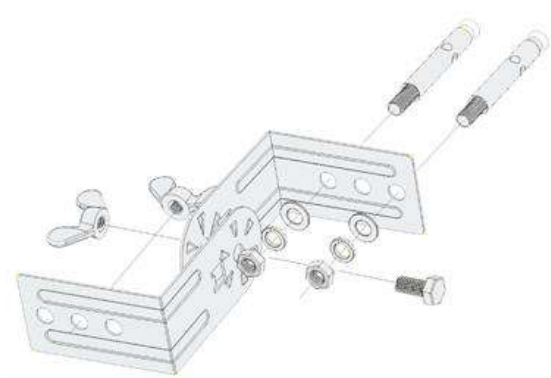
Draaibare muurbeugels worden meegeleverd met de heater die speciaal is ontworpen om dit product aan een muur te kunnen installeren met voldoende vrije ruimte achter de heater. Monteer de radiator niet met een andere steun dan de meegeleverde.

De zijkanten en uiteinden van de heater moeten altijd minimaal 300 mm (12") verwijderd zijn van de dichtstbijzijnde muur, plafond of andere constructie.

INSTALLATIE:

Het montage materiaal omvat:

Diagram 1: Beugelmontage



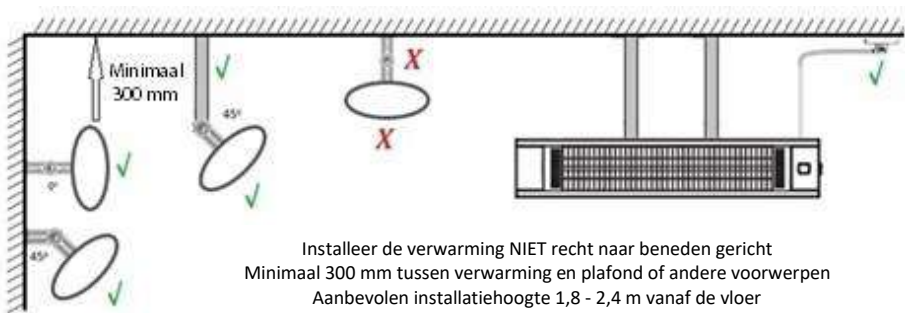
- 4 steunstukken - voeg samen tot 2 steunen met een centrale spil. Het uitstekende mes op elke beugel past over het ronde uiteinde van de tegenoverliggende beugel om de juiste draaihoek te garanderen.
- 4 x metselwerk spreidbouts M6x60 (voor bevestiging van beugels aan de muur).
- 2 x vleugelmoeren om de beugels aan de achterkant van de radiator te bevestigen.
- 2 x kleine bouten en borgmoeren (om de spil op de beugels te vormen).

Gebruik de beugels als sjabloon om 4 x 8 mm gaten in de muur te markeren en te boren. Steek de pluggen in de muur en plaats de beugels, ringen, veerringen en moeren over de blootliggende draadeinden. Als u de moeren aandraait, wordt het uiteinde van de plug gedwongen om in de muur uit te zetten en een veilige beugel voor de radiator te vormen.

Installeer de tegenoverliggende beugel aan de achterkant van de radiator voordat u de bout en moer voor elk scharnier plaatst en vastdraait.

INSTALLATIE:

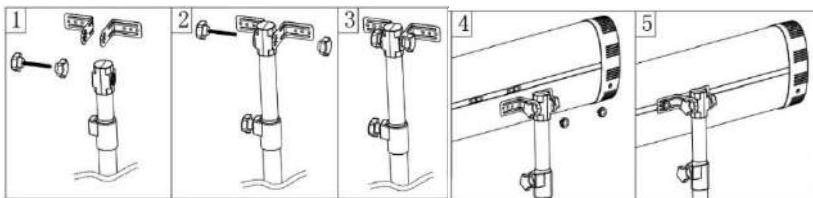
Diagram 2: Correcte positie wand / plafond



Installeer de verwarming NIET recht naar beneden gericht
 Minimaal 300 mm tussen verwarming en plafond of andere voorwerpen
 Aanbevolen installatiehoogte 1,8 - 2,4 m vanaf de vloer
 Houd elektrische aansluitingen buiten het verwarmingsoppervlak

Diagram 3: Installatie met staander

De Colorado kan op een eigen staander (apart beschikbaar) geplaatst worden. De installatie hiervan is gemakkelijk d.m.v. het gebruik van de meegeleverde beugels volgens onderstaande tekeningen.



De heater bevat een kantelbeveiliging waardoor de stroomtoevoer uitgeschakeld wordt als het toestel een hoek groter dan 45° detecteert.

OPGELET:

- Zorg ervoor dat de netvoeding is uitgeschakeld voordat u met de installatie begint.
- De meegeleverde voedingskabel mag tijdens werking geen contact maken met het bovenoppervlak van de heater.

- De verwarming mag zich niet direct onder een stopcontact bevinden. Elektrische aansluitingen dienen buiten de footprint van het toestel te gebeuren om een accumulatie van warmte te vermijden. Indien de heater op een helling (bv. schuin dak) gemonteerd dient te worden, zorg er dan voor dat de elektrische aansluiting zich beneden het laagste punt van de heater bevindt.
- Balken en spanten mogen niet worden gesneden of gekerfd om het apparaat te installeren.
- Deze heater is niet bedoeld voor installatie in een plafonduitsparing. Installeer het toestel niet naar beneden gericht.
- Het identificatielabel en de modelreferentie moeten na installatie zichtbaar zijn.
- De COLORADO mag niet zodanig worden bevestigd dat deze naar een brandbaar materiaal (bijv. hout of PVC binnenbekledingen) of materiaal dat naar de heater geblazen kan worden is gericht of zich daar dichtbij bevindt.
- De vaste bedrading die in aanraking komt met onderdelen met een temperatuur van meer dan 50 ° C moet worden beschermd door bijvoorbeeld ommantelingen met een geschikte temperatuurclassificatie.
- Wees behoedzaam bij gebruik van de staander zodat de heater niet per ongeluk kan worden aangeraakt of omver gestoten of dat de kabel struikelgevaar veroorzaakt.
- Plaats de staander en heater nooit dichtbij een zwembad, vijver of andere waterbron.



EERSTE GEBRUIK:

De aan/uit-schakelaar aan de zijkant van de COLORADO heeft 3 standen:

- Positie O (Uit)
- Positie I (bypass op afstandsbediening)
- Positie II (afstandsbediening).

LET OP: De aan/uit-schakelaar kan tijdens het uitpakken en installeren onbedoeld in stand I (bypass afstandsbediening) worden geschakeld. Om brandwonden te voorkomen, moet u ervoor zorgen dat de aan/uit-schakelaar in de UIT-stand staat (gemarkeerd met O op de schakelaar) voordat u de netvoeding inschakelt.

Stand I. Om de afstandsbediening te omzeilen, zet u de schakelaar op de heater in stand I. Als de schakelaar in deze stand staat, gaat de verwarming aan of uit, afhankelijk van of er stroom op staat. De afstandsbediening regelt de heater niet wanneer de schakelaar in stand I staat. Gebruik deze waar u de heater rechtstreeks wilt aansluiten op een schakelapparaat zoals een drukknoptimer of thermostaat.

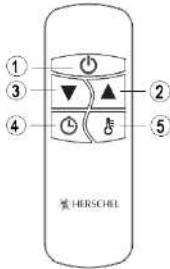
Positie II. Om de heater met de afstandsbediening te gebruiken, moet u ervoor zorgen dat de schakelaar van het toestel in stand II staat.

Plaats 2 x AAA-alkalinebatterijen in de afstandsbediening.

De afstandsbediening bedient de heater op afstand aan of uit met instelbaar warmteniveau en timer zoals hieronder beschreven. Alle afstandsbedieningen van Herschel hebben dezelfde frequentie, dus het is mogelijk om meerdere heaters te bedienen met slechts één afstandsbediening.

Bij het eerste gebruik of als het gedurende een langere periode niet is gebruikt, kan er geur of damp uit de heater komen. Dit is normaal.

BEDIENING MET AFSTANDBEDIENING:



Werking afstandsbediening			
Knop	Functie (Heater aan)	Functie (Heater uit)	LED Display op Heater
1	Schakelt de heater in of uit		
2	Verhoogt het verwarmingsniveau of de timeruren	Zet de heater op niveau 1 (minimum)	L1
3	Verlaagt het verwarmingsniveau of de timeruren	Zet de heater op niveau 4 (maximum)	L4
4	Maakt de aanpassing van de timer mogelijk		00 - 24
5	Maakt de aanpassing van het verwarmingsniveau mogelijk		L [n]

Alle Herschel afstandsbedieningen hebben dezelfde frequentie, waardoor het mogelijk is om meerdere heaters met slechts één afstandsbediening te bedienen.

Veiligheid en energiebesparende bescherming:

- Als een verwarming met afstandsbediening een week (168 uur) continu aan blijft staan, schakelt de verwarming zichzelf automatisch uit en moet opnieuw worden gestart.
- Heaters met afstandsbedieningen zijn uitgerust met een oververhittingsschakelaar die de stroom naar het toestel onderbreekt als deze een oververhitting in de elektronica detecteert. Laat de heater 15 minuten afkoelen voordat u opnieuw probeert op te starten.

EERSTE GEBRUIK:

Het apparaat kan geur of damp afgeven bij het eerste gebruik of als de verwarming langere tijd niet is gebruikt. Dit is normaal.

ONDERHOUD DOOR DE GEBRUIKER:

De heater kan worden afgeveegd met een zachte, vochtige doek. Gebruik geen schurende schoonmaakmiddelen om het apparaat schoon te maken. In maritieme omgevingen kan het apparaat voorzichtig met schoon water worden besproeid met de STROOM UITGESCHAKELD en volledig afgekoeld. Na het reinigen is het raadzaam de heater 10 - 20 minuten op te warmen om de unit te drogen en vlekken te voorkomen. De lamp die in de Herschel Colorado wordt gebruikt heeft een ultralange levensduur (10.000 uur). Het vervangen van de lamp mag alleen door voldoende gekwalificeerd personeel volgens de instructies op de website van Herschel worden uitgevoerd.

PROBLEEMOPLOSSING (MODEL 2500R):

E1 fout op display:

PCB oververhit. Controleer de vrije installatie-afstanden.

Laat de heater 15 minuten afkoelen en herstart de heater.

L1,2,3,4 wordt weergegeven, maar er wordt geen warmte opgewekt:

De lamp is beschadigd. Regel vervangende lampen met uw Herschel dealer.

TECHNISCHE INFORMATIE:

Nominaal vermogen:	2500W bij 220-240V
Verwarmingselement:	Carbonlamp met lange levensduur (10.000 uur)
Reflector:	Mirror Aluminium (98% reflectie voorkomt achterwaarts warmteverlies)
Dimensies:	900 x 174 x 100 mm
Afstandsbediening (alleen 2600R):	4 vermogensniveaus (20% vermogensstappen) en 9 uur timer (9x1 uur stappen)
Opwarmtijd:	5-10 seconden
Nuttig golflengtebereik:	2 - 5µm
Gewicht:	3kg
Garantie:	2 jaar (exclusief lamp en afstandsbediening)
Beschermingsklasse:	IP55

GARANTIE:

Registreer uw product hier:

<https://www.herschel-infrarood.nl/klantenservice/garantie-registratie/>

De Herschel COLORADO garantie is geldig voor storingen als gevolg van defecte materialen of gebrekking vakmanschap gedurende 24 maanden vanaf de datum van aankoop exclusief de lamp en afstandsbediening. De garantie is ongeldig als het toestel opengemaakt of verkeerd gebruikt is of ermee geknoeid is. In het onwaarschijnlijke geval dat het apparaat binnen deze tijd defect raakt, moet het apparaat voor reparatie of vervanging aan de leverancier worden geretourneerd. De garantie is ongeldig als de juiste installatie-instructies zoals vermeld in deze handleiding niet werden nageleefd.

Raadpleeg het garantiebeleid van Herschel Infrared Ltd voor alle details. Zie <https://www.herschel-infrarood.nl>

Noteer hier uw serienummer voor toekomstige referentie.

ELEKTRISCHE TOESTELLEN:



Afgedankte elektrische toestellen horen niet bij het huisvuil. Recycle a.u.b. waar faciliteiten aanwezig zijn.

BELANGRIJKE MEDEDELING VOOR DE KOPER:

Voordat u het product gaat gebruiken, moet u de geschiktheid van het product voor het beoogde gebruik bepalen. HERSCHEL INFRARED LTD wijst uitdrukkelijk de impliciete garanties en voorwaarden van verkoopbaarheid en geschiktheid voor een bepaald doel af. HERSCHEL INFRARED LTD is in geen geval op basis van enige juridische grondslag, inclusief maar niet beperkt tot contractuele of strikte aansprakelijkheid, verantwoordelijk voor enige directe-, indirecte-, speciale-, incidentele- of gevolgschade door het gebruik van het product.

IMPORTANTI PRECAUZIONI DI SICUREZZA

LEGGERE ATTENTAMENTE QUESTE ISTRUZIONI E CONSERVARLE PER FUTURO RIFERIMENTO.

La mancata osservanza di queste istruzioni invaliderà la garanzia.

Questa unità può essere fonte di possibile shock.

Smontare solo per sostituire la lampada. Nessuna parte riparabile dall'utente all'interno.

Fonte di possibile accensione.



AVVERTIMENTO

PER RIDURRE IL RISCHIO DI INCENDIO, SCOSSE ELETTRICHE O LESIONI:

1. Rimuovere l'unità dalla confezione e controllarla per assicurarsi che sia in buone condizioni prima dell'installazione e del funzionamento.
2. Invia l'imballaggio da riciclare. **NON** lasciare che i bambini giochino con sacchetti di plastica o altre parti della confezione.
3. **ATTENZIONE:** rischio di scosse elettriche
 - a. Questo apparecchio deve essere scollegato dalla sua fonte di alimentazione durante l'installazione o le attività di assistenza e durante la sostituzione.
 - b. **NON** utilizzare questo riscaldatore nelle immediate vicinanze di un bagno, doccia o piscina o vasca idromassaggio dove potrebbe cadere in un contenitore pieno d'acqua.
 - c. Interruttori e altri comandi non devono essere alla portata di una persona in vasca, piscina, vasca idromassaggio o doccia.
 - d. **NON** toccare questo riscaldatore o i suoi comandi con le mani bagnate.
 - e. **NON** permettere che i cavi di alimentazione vengano immersi in acqua o altri liquidi.
 - f. **NON** aprire o tentare di riparare da soli il riscaldatore. La manutenzione deve essere eseguita solo da personale qualificato.
4. Per evitare il surriscaldamento e il potenziale rischio di incendio, **NON** coprire in nessun caso il riscaldatore. Se il riscaldatore dovesse accidentalmente venire coperto durante il funzionamento, spegnerlo immediatamente e rimuovere eventuali corpi estranei che hanno coperto il riscaldatore o si sono depositati nella griglia.
5. L'unità deve essere installata con una distanza minima di 1800 mm (71") dal pavimento e di 300 mm (12") sulla parte superiore e sui lati del riscaldatore.
6. **NON** toccare il riscaldatore quando è in uso. Parti del riscaldatore possono superare i 200°C / 392°F durante il funzionamento. Il contatto con il riscaldatore durante il funzionamento può causare gravi ustioni. Non toccare il riscaldatore durante o per 10 minuti dopo il funzionamento.
7. **NON** utilizzare il riscaldatore se il cavo di alimentazione è danneggiato. Questo deve essere sostituito dal produttore, dal suo agente di servizio o da persone similmente qualificate per evitare pericoli.
8. **NON** utilizzare il riscaldatore per accendere materiali. **NON** operare in luoghi contenenti benzina, liquidi infiammabili o altre sostanze volatili.
9. **NON** installare il riscaldatore rivolto direttamente verso il basso.



Traduzione delle istruzioni originali relative alla COLORADO
2500R prodotta dal 072021 in poi. Certificato SAA SAA-211697-
EA.



10. **NON** installare questo riscaldatore vicino o rivolto verso oggetti infiammabili entro 1 metro o dove tende, asciugamani o altri oggetti infiammabili possono essere soffiati sul riscaldatore.
11. Questo riscaldatore deve essere utilizzato solo per il riscaldamento di persone all'aperto o al chiuso in uno spazio non chiuso. Il COLORADO non deve essere utilizzato da bambini o persone con ridotte capacità fisiche, sensoriali o mentali, o prive di esperienza o conoscenza, indipendentemente dal fatto che abbiano ricevuto istruzioni o siano sotto supervisione. I bambini devono essere tenuti lontani e non devono essere lasciati incustoditi intorno all'unità.
12. Tutti gli operatori devono accendere/spegnere l'apparecchio solo a condizione che sia stato posizionato o installato nella normale posizione di funzionamento prevista e che siano stati supervisionati o istruiti sull'uso dell'apparecchio in modo sicuro e comprendano i rischi coinvolti. I bambini non devono collegare, accendere o regolare l'apparecchio o eseguire la manutenzione dell'utente, inclusa la pulizia.
13. **NON** lasciare il riscaldatore in funzione incustodito.
14. **NON** mettere MAI le mani sotto l'elemento riscaldante durante il funzionamento.
15. **IMPORTANTE:** assicurarsi che la tensione di alimentazione non superi i 240 Volt.

CONSERVA QUESTE ISTRUZIONI.

PROTEZIONE DALL'INGRESSO D'ACQUA:

Herschel COLORADO è classificato secondo uno standard IP55. Adatto per uso esterno.

L'installazione in ambienti potenzialmente bagnati o umidi come i bagni deve essere eseguita da un installatore adeguatamente qualificato e rispettare i requisiti di sicurezza elettrica locali.

In caso di dubbio, non installare. Herschel Infrared Ltd non sarà responsabile per eventuali perdite, danni o lesioni causati o risultanti da un montaggio inadeguato o da un posizionamento errato dei riscaldatori vicino a fonti d'acqua.

INFORMAZIONI ELETTRICHE:

Herschel COLORADO può essere collegato a una presa impermeabile. Qualsiasi cavo di prolunga utilizzato deve avere una capacità sufficiente per trasportare la corrente richiesta dal riscaldatore come mostrato nella Tabella 1. Tutte le spine, le prese e gli interruttori destinati all'uso all'aperto devono avere un'adeguata protezione dall'ingresso di acqua.

In alternativa è possibile rimuovere la spina e collegare l'unità al cablaggio di rete fisso. Gli impianti di cablaggio fisso devono essere eseguiti solo da persone competenti o da un elettricista qualificato secondo le normative nazionali e l'unità deve essere collegata a terra. L'alimentazione elettrica dell'unità deve essere fornita collegandosi a un dispositivo di protezione della corrente adatto alla potenza elettrica dell'unità secondo la tabella 1 e prevedendo la disconnessione in entrambi i poli. Tutti i cablaggi fissi devono avere una capacità sufficiente per trasportare la corrente richiesta dal riscaldatore.

Scollare sempre il riscaldatore dall'alimentazione quando non è in uso.

Tabella 1. Specifiche elettriche

Modello	Potenza nominale	Tensione	Corrente	Frequenza	Fusibile (minimo)
COLORADO 2500R	2500W	220-240V	10.9A	50/60Hz	13A

La posizione di montaggio dell'unità deve garantire che qualsiasi danno meccanico al cavo flessibile sia improbabile. Qualsiasi cavo flessibile esposto deve essere appeso (non legato) e deve avere una distanza adeguata dal riscaldatore per evitare bruciature o danni al cavo. Codifica a colori utilizzata nel cavo di rete in dotazione: il filo MARRONE deve essere collegato a LIVE ('L'), il filo BLU al NEUTRO ('N') e il filo VERDE/GIALLO a TERRA ('E').

POSIZIONE DI MONTAGGIO:

L'altezza di installazione consigliata del COLORADO è di 1,8 m - 2,4 m (71" - 95") dal pavimento. Più in basso è posizionato il riscaldatore, più intenso è il calore.

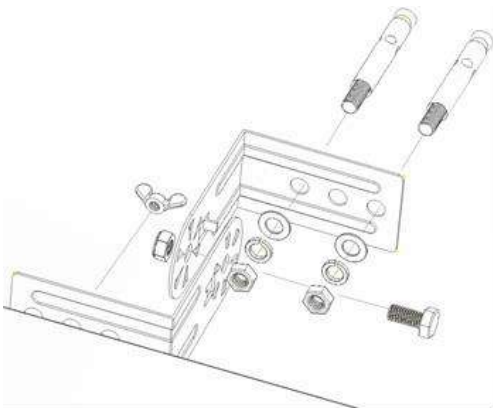
In nessun caso la COLORADO deve essere installata a meno di 1,8 m (71") dal pavimento. Dovrebbe essere presa in considerazione qualsiasi aggiunta temporanea o occasionale come palchi o piattaforme e adattata di conseguenza. Per l'uso all'aperto o in altre aree con movimento d'aria/vento, la diffusione dell'infrarosso direzionale può ridursi da 1/3 a 1/2. In tutti i luoghi, assicurarsi che le parti calde non vengano toccate accidentalmente.

Le staffe girevoli per il montaggio a parete sono fornite con il riscaldatore che è stato specificamente progettato per consentire il montaggio di questo prodotto su una parete con spazi adeguati sul retro dell'unità. Non montare il riscaldatore con altre staffe eccetto quelle fornite.

I lati e le estremità del riscaldatore devono essere sempre distanti almeno 300 mm (12") dalla parete, dal soffitto o da altre strutture più vicine.

INSTALLAZIONE:

Schema 1: montaggio della staffa



L'hardware di montaggio include:

- 4 pezzi di staffa - si uniscono per formare 2 staffe con un perno centrale. La lama sporgente su ciascuna staffa si inserisce sull'estremità circolare della staffa opposta per garantire l'angolo di rotazione corretto.
- 4 tasselli ad espansione per muratura M6x60 (per il fissaggio delle staffe a parete).
- 2 dadi ad alette per montare le staffe sul retro del riscaldatore.
- 2 x bulloni piccoli e controdadi (per formare il perno sulle staffe).

Utilizzando le staffe come modello, segnare e praticare fori 4 x 8 mm nel muro. Inserire i tasselli nella parete e montare le staffe, le rondelle, le rondelle elastiche e i dadi sulle estremità filettate esposte. Il serraggio dei dadi costringerà l'estremità dei tasselli ad espandersi nella parete e a formare un supporto sicuro per il riscaldatore. Montare la staffa opposta sul retro del riscaldatore prima di inserire e serrare il bullone e il dado per ciascuna cerniera.

UTILIZZO INIZIALE:

L'interruttore di alimentazione sul lato della COLORADO ha 3 posizioni:

- Posizione O (Off)
- Posizione I (bypass remoto)
- Posizione II (Telecomando).



ATTENZIONE:

L'interruttore di alimentazione può passare involontariamente alla posizione I (bypass remoto) durante il disimballaggio e l'installazione. Per evitare qualsiasi possibilità di ustione, assicurarsi che l'interruttore di alimentazione sia in posizione OFF (contrassegnato con O sull'interruttore) prima di attivare l'alimentazione di rete.

Posizione I. Per escludere il telecomando, portare l'interruttore del riscaldatore in posizione I. Quando l'interruttore è in questa posizione, il riscaldatore si accenderà o si spegnerà a seconda che sia alimentato. L'unità di controllo remoto non controllerà il riscaldatore quando l'interruttore è in posizione I. Utilizzare questo quando si desidera collegare il riscaldatore a un dispositivo di commutazione come un timer a pulsante o un termostato.

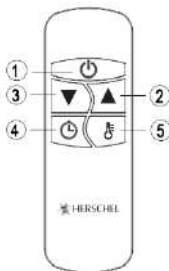
Posizione II. Per utilizzare il riscaldatore con il telecomando, assicurarsi che l'interruttore del riscaldatore sia in posizione II.

Inserire 2 batterie alcaline AAA nel telecomando.

Il telecomando attiva o disattiva il riscaldatore a distanza con il livello di riscaldamento regolabile e il timer descritti di seguito. Tutti i telecomandi Herschel hanno la stessa frequenza, quindi è possibile controllare più riscaldatori con un solo telecomando.

Potrebbero esserci odori o vapori dal riscaldatore al primo utilizzo o se non è stato utilizzato per un lungo periodo. È normale.

FUNZIONAMENTO DA TELECOMANDO:



Funzioni del telecomando			
Pulsante	Funzione (riscaldamento acceso)	Funzione (riscaldatore spento)	Display a LED sul riscaldatore
1	Accende o spegne il riscaldamento		
2	Aumenta il livello di calore o le ore del timer	Accende il riscaldatore al livello 1 (minimo)	L1
3	Diminuisce il livello di calore o le ore del timer	Accende il riscaldatore al livello 4 (massimo)	L4
4	Abilita la regolazione del timer		00 - 24
5	Abilita la regolazione del livello di calore		L [n]

Tutti i telecomandi Herschel hanno la stessa frequenza, quindi è possibile controllare più riscaldatori con un solo telecomando.

Sicurezza e protezione per il risparmio energetico:

- Se una stufa con telecomando viene lasciata accesa continuamente per una settimana (168 ore), la stufa si spegnerà automaticamente e dovrà essere riavviata.
- I riscaldatori con telecomando sono dotati di un interruttore di surriscaldamento che interrompe l'alimentazione al riscaldatore se rileva un surriscaldamento nell'elettronica. Si prega di lasciare raffreddare il riscaldatore per 15 minuti prima di tentare di riavviarlo.

MANUTENZIONE UTENTE:

Il riscaldatore può essere pulito con un panno morbido inumidito. Non utilizzare detergenti abrasivi per pulire l'unità. In ambienti marini, l'unità può essere spruzzata delicatamente con acqua pulita con l'ALIMENTAZIONE SPENTA Ed il riscaldatore completamente freddo. Dopo la pulizia, si consiglia di riscaldare il riscaldatore per 10 – 20 minuti per asciugare l'unità ed evitare macchie.

La lampada utilizzata nella Herschel Colorado è Ultra long life (fino a 10.000 ore). La sostituzione della lampada deve essere eseguita solo da personale adeguatamente qualificato utilizzando le istruzioni disponibili sul sito Web di Herschel.

RISOLUZIONE DEI PROBLEMI (MODELLO 2500R):

E1 Errore sul display:

Surriscaldamento della centralina. Controllare le distanze di installazione.

Lasciare raffreddare il riscaldatore per 15 minuti e riavviare il riscaldatore.

L1,2,3,4 viene visualizzato sul display, ma non si riscalda: la lampada è danneggiata. Organizzare la sostituzione della lampada con il proprio rivenditore Herschel.

INFORMAZIONI TECNICHE:

Potenza nominale:	2500W a 220-240V
Termosifone:	Lampada riscaldante in carbonio a lunga durata (fino a 10.000 ore)
Riflettore:	Specchio in alluminio (riflessione del 98% che impedisce la perdita di calore all'indietro)
Dimensioni:	900 x 174 x 100 mm
Telecomando:	4 livelli di potenza (incrementi di potenza del 20%) e timer 0-24 ore (incrementi di 24 x 1 ora)
Tempo di riscaldamento:	5-10 secondi
Gamma di lunghezze d'onda utili:	2 - 5µm
Peso:	3kg
Garanzia:	2 anni (escluso lampada e telecomando)
Protezione:	IP55

GARANZIA:

Registra qui il tuo prodotto:

<https://www.herschel-infrarossi.it/assistenza-clienti/registrazione-della-garanzia/>

Herschel COLORADO è garantito contro guasti dovuti a materiali o lavorazione difettosi per 12 mesi dalla data di acquisto, escluse le lampade. Nell'improbabile caso di guasto dell'unità entro questo tempo, l'unità deve essere restituita al fornitore per la riparazione o la sostituzione. I costi di ispezione, rimozione o installazione sono espressamente esclusi dalla garanzia e Herschel non si assume alcuna responsabilità al riguardo. La garanzia non è valida se non sono state rispettate le corrette istruzioni di installazione riportate in questo foglio. Fare riferimento alla politica di garanzia di Herschel Infrared Ltd per tutti i dettagli.

Vedere <https://www.herschel-infrarossi.it/>

Annotare il numero di serie per riferimento futuro:

MATERIALE ELETTRICO:

I prodotti elettrici di scarto non devono essere smaltiti con i rifiuti domestici. Si prega di riciclare dove esistono strutture.

**AVVISO IMPORTANTE PER L'ACQUIRENTE:**

Prima di utilizzare il prodotto, è necessario determinare l'idoneità del prodotto per l'uso previsto. HERSCHEL INFRARED LTD declina espressamente le garanzie e le condizioni implicite di commerciabilità e idoneità per uno scopo particolare. In nessun caso HERSCHEL INFRARED LTD sarà ritenuta responsabile in base a qualsiasi teoria legale, incluso ma non limitato alla responsabilità contrattuale o oggettiva, per eventuali danni diretti, indiretti speciali, incidentali o consequenziali derivanti dall'uso del prodotto.

IMPORTANTES PRECAUCIONES DE SEGURIDAD

Lea estas instrucciones cuidadosamente y guárdelas como referencia.

El no leer estas instrucciones invalidará la garantía.

Esta unidad puede ser fuente de descargas eléctricas y solo deberá ser instalada y arreglada para su servicio por un calificado electricista.

No la desarme ni reúse las partes internas de la misma en otra unidad.

Es fuente de posible fuego.



ADVERTENCIAS

PARA REDUCIR EL RIESGO DE FUEGO, DESCARGAS ELECTRICAS O LESIONES:

1. Saque la unidad de su embalaje y verifique que esté en buenas condiciones antes de instalarla y ponerla en funcionamiento.
2. Envíe el embalaje para su reciclaje. NO permita que los niños jueguen con bolsas de plástico u otras partes del embalaje.
3. PRECAUCIÓN: Riesgo de descarga eléctrica
 - a. Este aparato debe desconectarse de su fuente de alimentación durante las actividades de instalación o servicio y cuando Reemplazo.
 - b. NO use este calentador en las inmediaciones de un baño, ducha o piscina o jacuzzi donde podría caer en un recipiente lleno de agua.
 - c. Los interruptores y otros controles no deben estar al alcance de una persona en un baño, piscina, jacuzzi o ducha.
 - d. NO toque este calentador o sus controles con las manos mojadas.
 - e. NO permita que los cables de alimentación se sumerjan en agua u otro líquido.
 - f. NO abra ni intente reparar el calentador usted mismo. El servicio debe ser realizado únicamente por personal calificado.
4. Para evitar el sobrecalentamiento y el riesgo potencial de incendio, NO cubra el calentador bajo ninguna circunstancia. Si el calentador debe cubrirse accidentalmente durante el funcionamiento, apáguelo inmediatamente y elimine cualquier objeto extraño que haya tapado el calentador o se atasca en la parrilla.
5. La unidad debe instalarse con un espacio libre mínimo de 1800 mm (71 ") hasta el piso y un espacio libre de 300 mm (12") en la parte superior y lados del calentador.
6. NO toque el calentador cuando esté en uso. Algunas partes del calentador pueden exceder los 200 ° C / 392 ° F durante el funcionamiento. Contacta con el calentador durante el funcionamiento puede causar quemaduras graves. No toque el calentador durante o durante 10 minutos después del funcionamiento.
7. NO use el calentador si el cable de alimentación está dañado. Esto debe ser reemplazado por el fabricante, su agente de servicio o personas igualmente calificadas para evitar un peligro.
8. NO use el calentador para encender materiales. NO opere en lugares que contengan gasolina, líquidos inflamables u otros Sustancias volátiles.
9. NO instale el calentador apuntando directamente hacia abajo.
10. NO instale este calentador cerca o apuntando hacia objetos inflamables dentro de 1 metro o donde cortinas, toallas u otros Se pueden soplar elementos inflamables sobre el calentador.
11. Este calentador solo debe usarse para calentar personas al aire libre o en interiores en un espacio no cerrado. El COLORADO no es para ser utilizado por niños o personas con capacidades físicas,



Traducción de las instrucciones originales que cubren COLORADO
2500R producidas desde 072021 en adelante. Certificado SAA SAA-
211697-EA



sensoriales o mentales reducidas, o con falta de experiencia o conocimiento, independientemente de si han recibido instrucción o están bajo supervisión. Los niños deben mantenerse alejados y deben no se deje sin supervisión alrededor de la unidad.

12. Todos los operadores solo deben encender / apagar el aparato siempre que se haya colocado o instalado en su lugar normal previsto. Puesto de trabajo y han recibido supervisión o instrucciones sobre el uso del aparato de forma segura y comprender los peligros involucrados. Los niños no deben enchufar, encender ni regular el electrodoméstico ni realizar tareas de mantenimiento por parte del usuario incluida la limpieza.
13. NO deje el calentador funcionando sin vigilancia.
14. NUNCA coloque las manos debajo del elemento calefactor durante el funcionamiento.
15. IMPORTANTE: Asegúrese de que la tensión de alimentación no supere los 240 voltios.

GUARDE ESTAS INSTRUCCIONES.

PROTECCION CONTRA EL AGUA

Los Paneles Herschel COLORADO están calibrados a un estándar mínimo de IP55 lo que le permite ser montado en exteriores y expuesto a lluvias ocasionales.

No obstante, la instalación en lugares potencialmente húmedos como los baños, deberá ser realizada por un instalador experto en el ramo y cumplir con los requerimientos eléctricos de seguridad. La instalación deberá tal forma que:

- El calentador no pueda ser descolgado de los soportes bañera, alberca, tina o cualquier contenedor de agua.
- Switch, apagadores y otros controles no podrán ser tocados por personas estando dentro de la bañera o tina.

Si se tienen dudas deberán no instalarse. Herschel Infrared LTD no se hará responsable por pérdidas, daños o lesiones causadas como resultado de una instalación inadecuada de los calentadores cerca de las zonas con agua.

INFORMACION ELECTRICA:

El Herschel COLORADO se puede enchufar a un enchufe a prueba de agua. Cualquier cable de extensión que se use debe tener la capacidad suficiente para transportar la corriente requerida por el calentador, como se muestra en la Tabla 1. Todos los enchufes, enchufes e interruptores diseñados para uso en exteriores deben tener una protección adecuada contra la entrada de agua.

Alternativamente, se puede quitar el enchufe y conectar la unidad a un cableado de red fijo. Las instalaciones de cableado fijo solo deben ser realizadas por personas competentes o un electricista calificado de acuerdo con las regulaciones nacionales y la unidad debe estar conectada a tierra. El suministro eléctrico a la unidad debe proporcionarse conectándolo a un dispositivo de protección de corriente adecuado para la clasificación eléctrica de la unidad de acuerdo con la Tabla 1 y proporcionando desconexión en ambos polos. Todo el cableado fijo debe tener la capacidad suficiente para transportar la corriente requerida por el calentador.

Siempre desconecte el calentador de la energía cuando no esté en uso.

Tabla 1. Especificaciones eléctricas

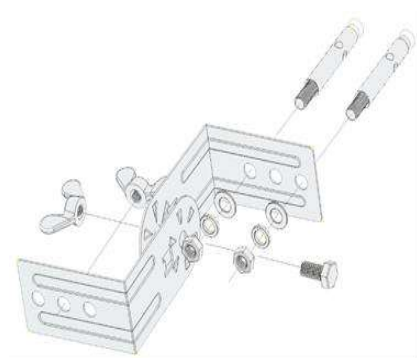
Modelo	Potencia	Voltaje	Corriente	Hz	Fusible (Mínimo)
COLORADO 2500R	2500W	230V	10.9A	50/60Hz	13A

La posición de montaje de la unidad debe asegurar que cualquier daño mecánico al cable flexible sea improbable. Cualquier cable flexible expuesto debe colgar (no atado) y debe tener una distancia adecuada del calentador para evitar que se quemé o dañe el cable.

Código de color utilizado en el cable de alimentación suministrado: el cable MARRÓN debe conectarse a EN VIVO ('L'), el cable AZUL a NEUTRAL ('N') y el cable VERDE / AMARILLO a TIERRA ('E').

POSICION DE MONTAJE:

Diagrama 1: Montaje del soporte



El accesorios de montaje incluye:

- 4 piezas de soporte: encajan juntas para formar 2 soportes con un pivote central. La hoja que sobresale en cada soporte encaja sobre el extremo circular del soporte opuesto para asegurar el ángulo de pivote correcto.
- 4 tornillos de expansión de mampostería M6x60 (para fijar soportes en la pared).
- 2 x tuercas de mariposa para encajar los soportes en la parte trasera del calentador.
- 2 x tornillos pequeños y contratuercas (para formar el pivote de los soportes).

Usando los soportes como plantilla, marque y taladre agujeros de 4 x 8 mm en la pared. Inserte los tapones en la pared y coloque los soportes, arandelas, arandelas de resorte y tuercas sobre los extremos roscados expuestos. Si aprieta las tuercas, el extremo del enchufe se expandirá en la pared y formará un montaje seguro para el calentador.

Coloque el soporte opuesto en la parte posterior del calentador antes de insertar y apretar el perno y la tuerca de cada bisagra.

INSTALACION:

Diagrama 2: Posición de montaje en la pared / techo

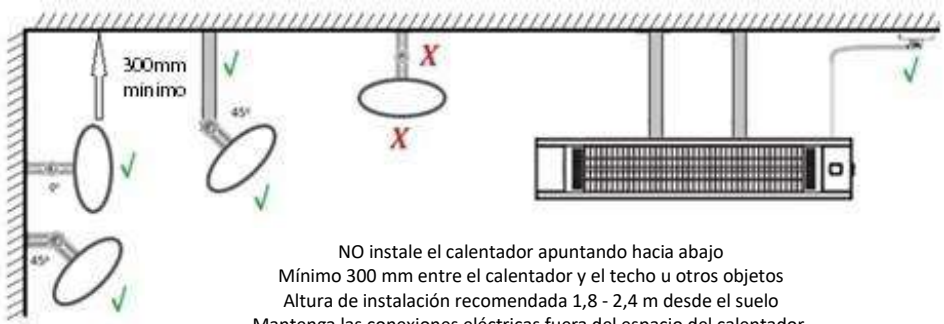
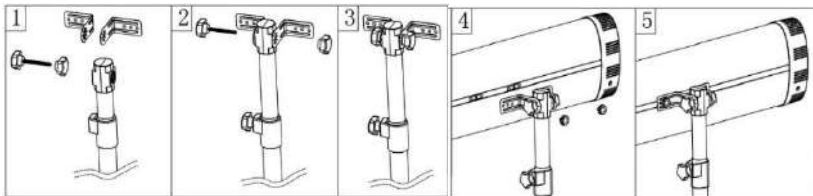


Diagrama 3: Instalación usando un soporte:

COLORADO puede instalarse en su propio soporte (disponible por separado). La instalación es fácil usando los soportes provistos siguiendo los diagramas a continuación.



PRECAUCIÓN:

- Asegúrese de que la alimentación de la red esté APAGADA antes de comenzar la instalación.
- El cable de alimentación suministrado no debe entrar en contacto con la superficie superior del calentador durante el funcionamiento.
- El calentador no debe ubicarse inmediatamente debajo de una toma de corriente. Las conexiones eléctricas deben realizarse fuera de la huella de la unidad para evitar la acumulación de calor. Si el calentador debe montarse en una inclinación (por ejemplo, techo inclinado), asegúrese de que la conexión eléctrica esté ubicada debajo del extremo más bajo del calentador.
- Las viguetas, vigas y vigas no deben cortarse ni cortarse para instalar el artefacto.
- Este calentador no está diseñado para instalación empotrada en el techo. No instale apuntando directamente hacia abajo.
- La marca de identificación y la referencia del modelo deben ser visibles después de la instalación.
- El COLORADO no debe colocarse orientado hacia o cerca de ningún material combustible (por ejemplo, revestimiento de madera o PVC, imposta o plafón) u otros materiales que puedan soplar sobre el calentador.
- El aislamiento de cableado fijo que entra en contacto con piezas con un aumento de temperatura superior a 50 ° C debe protegerse, por ejemplo, mediante un manguito que tenga una clasificación de temperatura adecuada.

- Tenga cuidado al ubicar el soporte del calentador de manera que el calentador no pueda tocarse accidentalmente, no pueda volcarse o que el cable cause un peligro de tropiezo.
- Nunca coloque el soporte y el calentador al lado de una piscina, estanque u otra fuente de agua.

PRIMER PASO DE USO:

El interruptor de encendido en el costado del COLORADO tiene 3 posiciones:

- Posición O (Apagado)
- Posición I (derivación remota)
- Posición II (Mando a distancia).



PRECAUCIÓN:

El interruptor de encendido puede cambiar involuntariamente a la posición I (derivación remota) durante el desembalaje y la instalación. Para evitar cualquier posibilidad de quemaduras, asegúrese de que el interruptor de encendido esté en la posición de APAGADO (marcado con una O en el interruptor) antes de encender el suministro eléctrico.

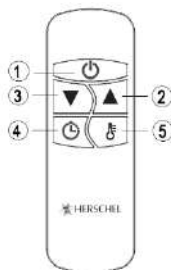
Posición I. Para desviar el control remoto, gire el interruptor del calentador a la posición I. Cuando el interruptor esté en esta posición, el calentador se encenderá o apagará dependiendo de si tiene energía. La unidad de control remoto no controlará el calentador cuando el interruptor esté en la posición I. Use esto cuando desee conectar el calentador a un dispositivo de conmutación como un temporizador de botón o un termostato.

Posición II. Para usar el calentador con el control remoto, asegúrese de que el interruptor del calentador esté en la posición II.

Inserte 2 pilas alcalinas AAA en el control remoto.

El control remoto opera el calentador en forma remota con encendido o apagado con un nivel de calor ajustable y un temporizador que se describen a continuación. Todos los controles remotos de Herschel tienen la misma frecuencia, por lo que es posible controlar varios calentadores con un solo control remoto. Puede haber olor o vapor del calentador en el uso inicial o si no se ha utilizado durante un período prolongado. Esto es normal.

OPERACIÓN POR CONTROLADOR REMOTO:



Función de control remoto			
Botón	Función (calentador encendido)	Función (Calentador apagado)	Pantalla LED en el calentador
1	Enciende o apaga el calentador		
2	Aumentar el nivel de calor o las horas del temporizador	Enciende el calentador al nivel 1 (mínimo)	L1
3	Disminuir el nivel de calor o las horas del temporizador	Enciende el calentador al nivel 2 (máximo)	L2
4	Habilita el ajuste del temporizador de calor		00 - 24
5	Habilitar ajuste de nivel		L [n]

Todos los controles remotos Herschel tienen la misma frecuencia, por lo que es posible controlar varios calentadores con solo un control remoto.

MANTENIMIENTO DEL USUARIO:

El calentador puede limpiarse con un paño suave y húmedo. No use detergentes abrasivos para limpiar la unidad. En ambientes marinos, la unidad puede rociarse suavemente con agua limpia con la ALIMENTACIÓN APAGADA y completamente fría. Después de la limpieza, es aconsejable calentar el calentador por 10 a 20 minutos para secar la unidad y evitar las manchas.

La lámpara utilizada en Herschel COLORADO tiene una vida ultralarga (10.000 horas). El cambio de la lámpara solo debe llevarlo a cabo personal adecuadamente calificado utilizando las instrucciones disponibles en el sitio web de Herschel.

RESOLUCIÓN DE PROBLEMAS (MODELO 2500R):

E1 Error en la pantalla:

Unidad de control sobrecalentada. Verifique las autorizaciones de instalación.

Deje que el calentador se enfríe durante 15 minutos y reinicie el calentador.

L1,2,3,4 muestra en pantalla, pero no calor:

La lámpara está dañada. Haga arreglos para reemplazar la lámpara con su distribuidor Herschel.

INFORMACIÓN TÉCNICA:

Potencia nominal:	2500W a 220-240V
Elemento de calefacción:	Lámpara de calentamiento de carbono Ultra Long Life (10,000 horas)
Reflector:	Mirror Aluminium (98% reflection preventing rearward heat loss)
Dimensiones:	900 x 174 x 100 mm
Control Remoto:	4 niveles de potencia (20% de incremento) y temporizador de 9 horas (incrementos de 9 x 1 hora)
Montaje:	Pared o soporte (disponible por separado)
Tiempo de calentamiento:	5-10 segundos
Rango de longitud de onda útil:	2 - 5µm
Peso:	3kg
Garantía:	2 años (excluye lámpara y el control remoto)
Proteccion:	IP55

GARANTIA:

Registre su producto aquí: <https://www.herschel-infrarrojo.es/atencion-al-cliente/registro-de-garantia/>

El calentador Herschel COLORADO está garantizado contra fallas debido a materiales defectuosos o mano de obra por 2 años a partir de la fecha de compra. En el poco probable caso de falla durante este periodo, la unidad deberá ser devuelta al proveedor para su reparación o reemplazo. La garantía no será válida si la correcta instalación e instrucciones dadas en este folleto no hayan sido seguidas. Para mayor información consulte <https://www.herschel-infrarrojo.es/>

Anote su número de serie:

EQUIPO ELECTRICO:



Productos eléctricos de desecho no deberá de tirarse en el basurero, deberán reciclarse en un lugar apropiado.



INFORMACION IMPORTANTE PARA EL COMPRADOR:

Antes de utilizar el producto, deberá determinar si es el adecuado para el uso que se espera. HERSCHEL INFRARED LTD garantiza el buen funcionamiento de los productos siempre y cuando sean usados en forma correcta. De no ser así HERSCHEL INFRARED se deslinda de cualquier responsabilidad legal por el mal uso del producto, daños directos e indirectos por el uso incorrecto del producto.